

51	36'-0"
50	35'-0"
49	35'-0"
48	35'-0"
47	33'-9"
46	33'-11"
45	32'-0"
44	31'-9"
43	31'-11"
42	30'-0"
41	29'-9"
40	29'-11"
39	28'-0"
38	27'-9"
37	27'-11"
36	26'-0"
35	25'-0"
34	24'-0"
33	23'-9"
32	23'-11"
31	22'-0"
30	21'-9"
29	21'-11"
28	20'-0"
27	19'-9"
26	19'-11"
25	18'-0"
24	17'-9"
23	16'-0"
22	15'-9"
21	15'-11"
20	14'-0"
19	13'-9"
18	13'-11"
17	12'-0"
16	11'-9"
15	11'-11"
14	10'-0"
13	9'-9"
12	9'-11"
11	7'-10"
10	7'-4"
9	6'-10"
8	6'-4"
7	5'-10"
6	5'-4"
5	4'-10"
4	3'-10"
3	2'-10"
2	1'-10"
1	0'-11"
0	0'-0"

SL SIDE TABS
SR LIGHT LADDER
SR LIGHT LADDER
SR SIDE TABS
MAIN CURTAIN (Perm.)
PLASTER LINE

JASON ARDIZZONE-WEST
SET DESIGN

12 MALVERN RD
SCARSDALE, NY 20683
JASON@ARDIZZONEWEST.COM

This drawing is confidential. The reproduction or use of these arrangements, designs, and plans are prohibited without written consent of Jason Ardizzone-West. This drawing is intended for the use of the client and is not to be used for any other purpose. The designer shall not be responsible for any errors or omissions in this drawing. The client shall be responsible for the accuracy of the information provided. Equipment and installation must conform to all local and federal codes and fire safety regulations.

RHODA THEATRE : BERKLEY REP
AWOYE TIMPO | DIRECTOR
JASON ARDIZZONE-WEST | SET DESIGN
STACY DEROSIER | LIGHTING DESIGN
X X | COSTUME DESIGN
X X | CHOREOGRAPHY
X X | MD - CONDUCTOR
X X | MUSIC SUPERVISOR

SCHOOL GIRLS
OR, THE AFRICAN MEAN GIRLS PLAY
AN INFECTIOUS COMEDY WITH TEETH

GROUND PLAN

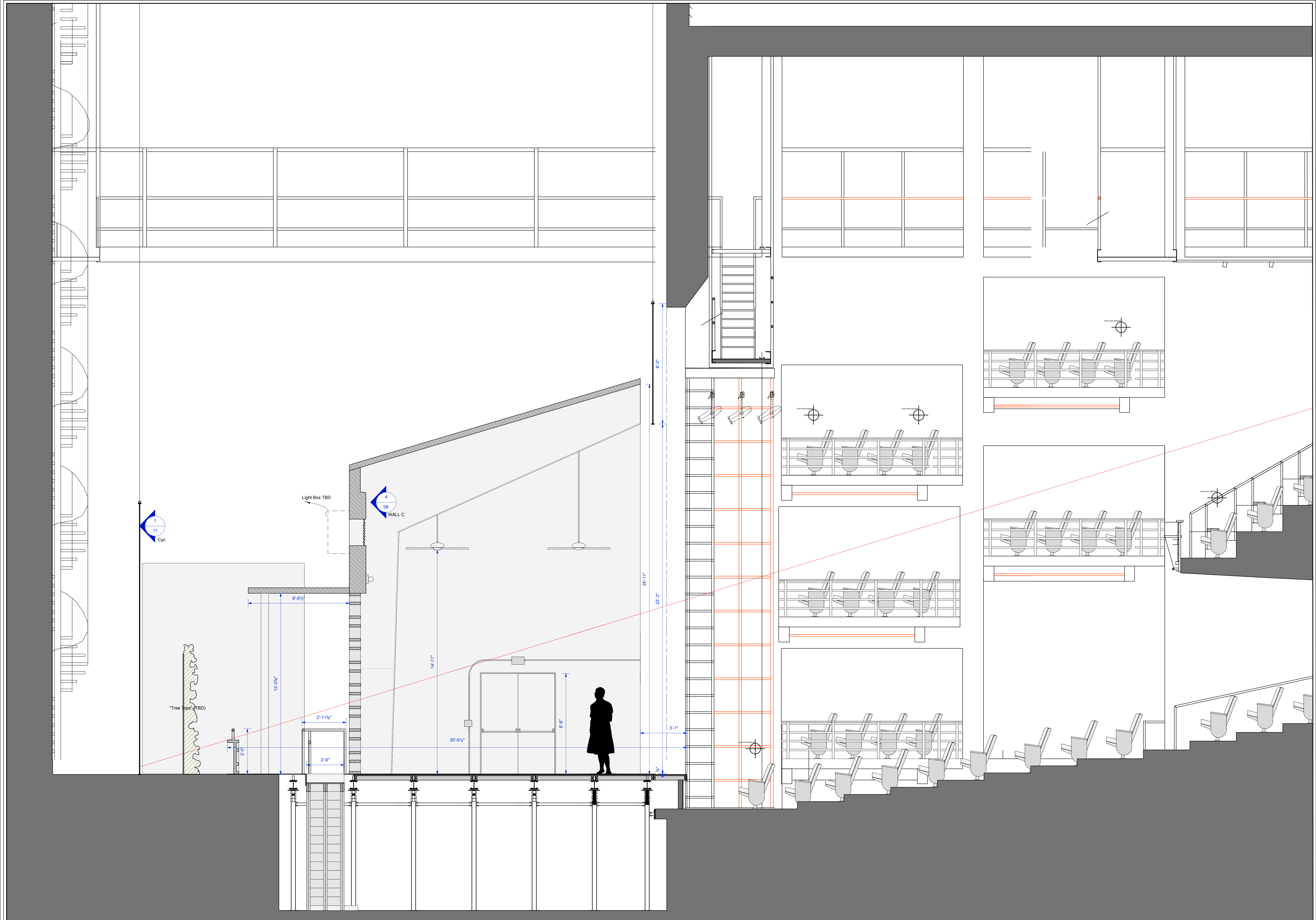
ISSUE DATE: **1.17.2020**

SCALE: **3/8" = 1'-0"**

DRAWING TITLE: **GROUND PLAN**

DRAWN BY: **ETHAN BROWN**

PLATE NUMBER: **1.0**



JASON ARDIZZONE-WEST
 SET DESIGN

12 MALVERN RD
 SCARSDALE, NY 20883
 JASON@ARDIZZONEWEST.COM

JASON ARDIZZONE-WEST
 SET DESIGN

This drawing is confidential. The reproduction or use of these arrangements, designs, and plans are prohibited without written consent of the author. The author shall not be held responsible for any errors or omissions in this drawing. The author shall not be held responsible for any damages or injuries resulting from the use of this drawing. The author shall not be held responsible for any discrepancies between the drawing and actual dimensions. This drawing represents concepts and suggestions only. The design team is not responsible for the final construction of the set. The design team is not responsible for the safety of the set. The design team is not responsible for the safety of the audience. The design team is not responsible for the safety of the performers. Equipment and installation must conform to all local and federal codes and fire safety regulations.

RHODA THEATRE : BERKLEY REP

AWOYE TIMPO | DIRECTOR
 JASON ARDIZZONE-WEST | SET DESIGN
 STACY DEROSIER | LIGHTING DESIGN
 X X | COSTUME DESIGN
 X X | CHOREOGRAPHY
 X X | SOUND DESIGN
 X X | IND - CONDUCTOR
 X X | MUSIC SUPERVISOR

SCHOOL GIRLS
OR, THE AFRICAN MEAN GIRLS PLAY
AN INJECTIOUS COMEDY WITH TEETH

2.0

PLATE NUMBER:

DRAWING TITLE:
SL CENTERLINE SECTION

DRAWN BY:
ETHAN BROWN

SCALE:
3/8" = 1'-0"

ISSUE DATE:
1.17.2020



PLATE NUMBER:

4.0

DRAWING TITLE:
**COMPOSITE FRONT
 ELEVATION**

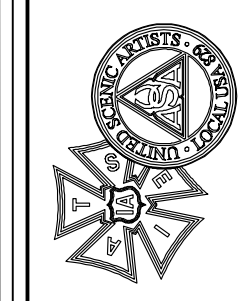
DRAWN BY:
ETHAN BROWN

SCALE:
3/8" = 1'-0"

ISSUE DATE:
1.17.2020

**SCHOOL GIRLS
 OR, THE AFRICAN MEAN GIRLS PLAY**
 AN INFECTIOUS COMEDY WITH TEETH

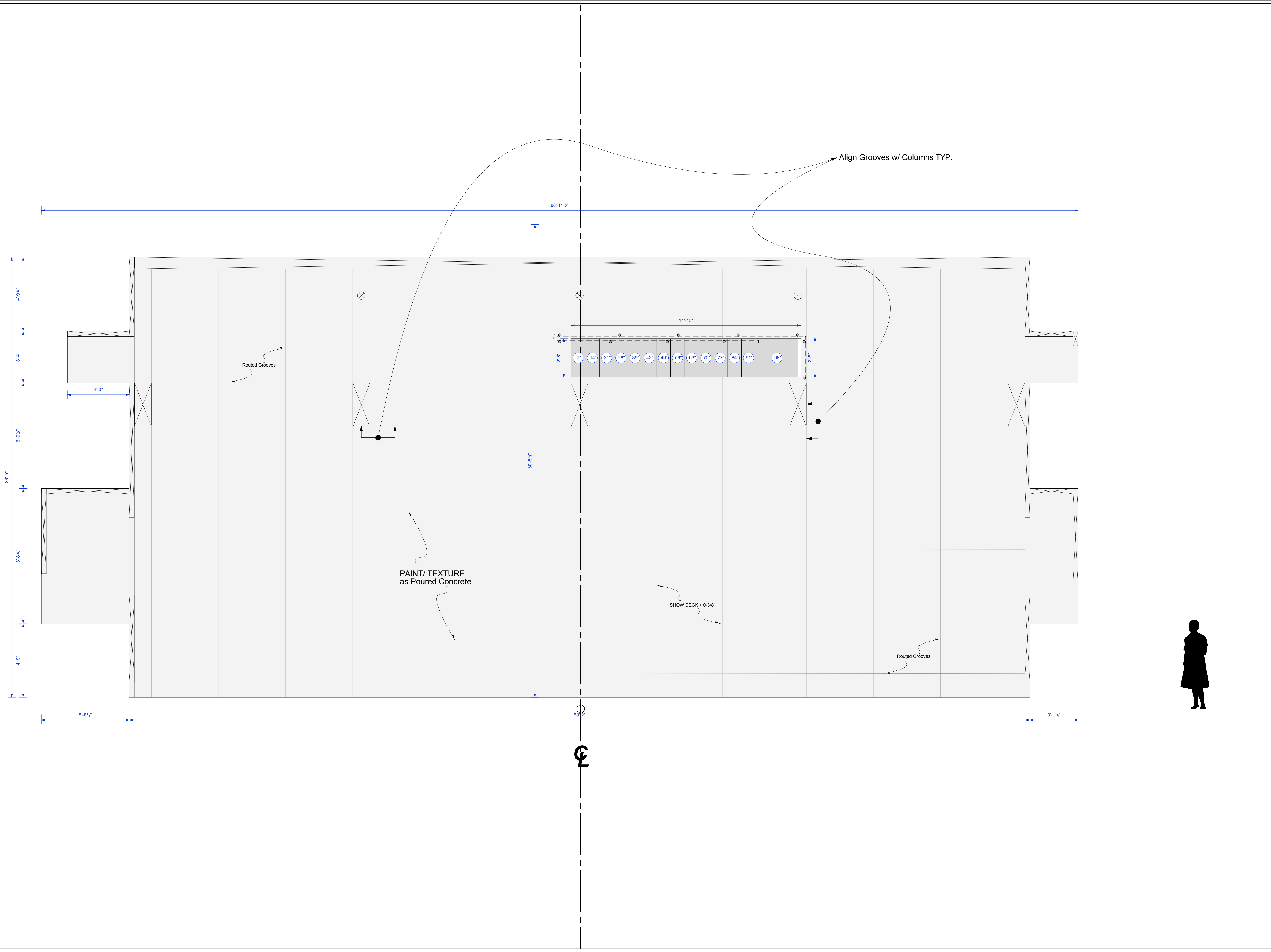
RHODA THEATRE : BERKLEY REP
 AWOYE TIMPO | DIRECTOR
 JASON ARDIZZONE-WEST | SET DESIGN X X | COSTUME DESIGN
 STACY DEROSIER | LIGHTING DESIGN X X | CHOREOGRAPHY
 X X | SOUND DESIGN X X | MD - CONDUCTOR
 X X | MUSIC SUPERVISOR



**JASON ARDIZZONE-WEST
 SET DESIGN**

12 MALVERN RD
 SCARSDALE, NY 20683
 JASON@ARDIZZONEWEST.COM

This drawing is confidential. The reproduction or use of these arrangements, designs, and plans are prohibited without written consent of Jason Ardizzone-West. The drawing is not to scale and is intended to provide a visual representation of the design. It is not to be used for construction purposes. The design is the property of Jason Ardizzone-West and is not to be used without his written consent. The design is not to be used for any other purpose without his written consent. The design is not to be used for any other purpose without his written consent. The design is not to be used for any other purpose without his written consent. Equipment and installation must conform to all local and federal codes and fire safety regulations.



JASON ARDIZZONE-WEST
 SET DESIGN

12 MALVERN RD
 SCARSDALE, NY 20883
 JASON@ARDIZZONEWEST.COM

JASON ARDIZZONE-WEST
 SET DESIGN

This drawing is confidential. The reproduction or use of these arrangements, designs, and plans are prohibited without written consent of the author. The author shall not be held responsible for any errors or omissions in this drawing. The design team is not responsible for any discrepancies between the drawing and actual dimensions. This drawing represents concepts and suggestions only. The design team is not responsible for the final construction or installation of the set. The design team is not responsible for any damage to the set or equipment. Equipment and installation must conform to all local and federal codes and fire safety regulations.

RHODA THEATRE : BERKLEY REP

AWOYE TIMPO | DIRECTOR X X | COSTUME DESIGN
 JASON ARDIZZONE-WEST | SET DESIGN X X | CHOREOGRAPHY
STACY DEROSIER | LIGHTING DESIGN X X | SOUND DESIGN
 X X | MUSIC SUPERVISOR

SCHOOL GIRLS
OR, THE AFRICAN MEAN GIRLS PLAY
 AN INFECTIOUS COMEDY WITH TEETH

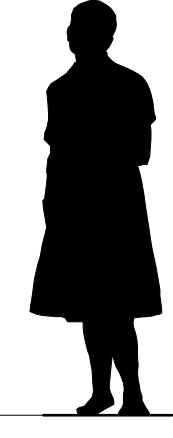
PLATE NUMBER: **4.0**

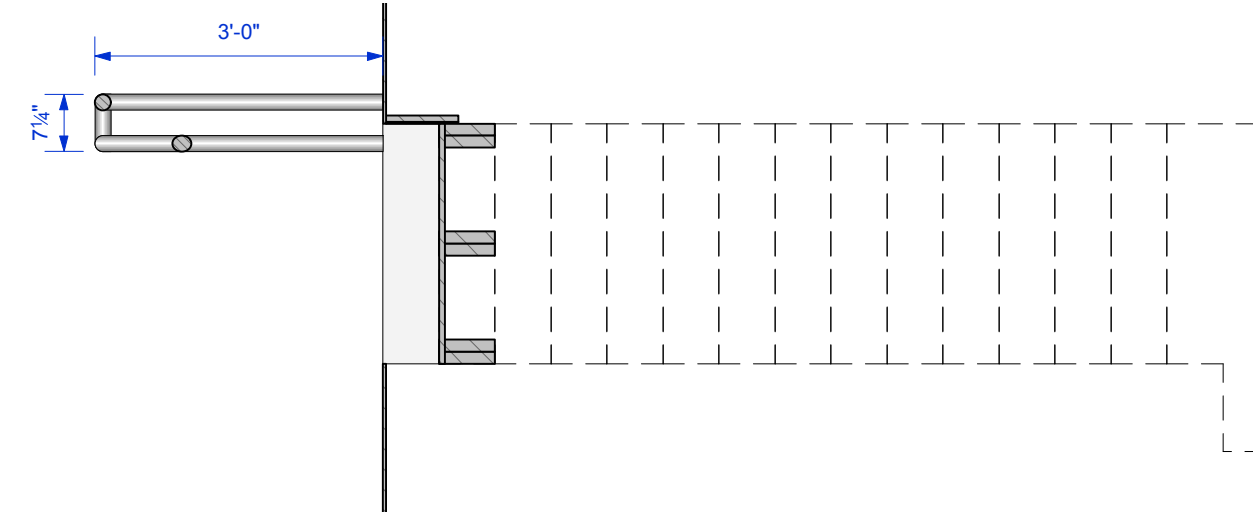
DRAWING TITLE: **DECK PLAN**

DRAWN BY: **ETHAN BROWN**

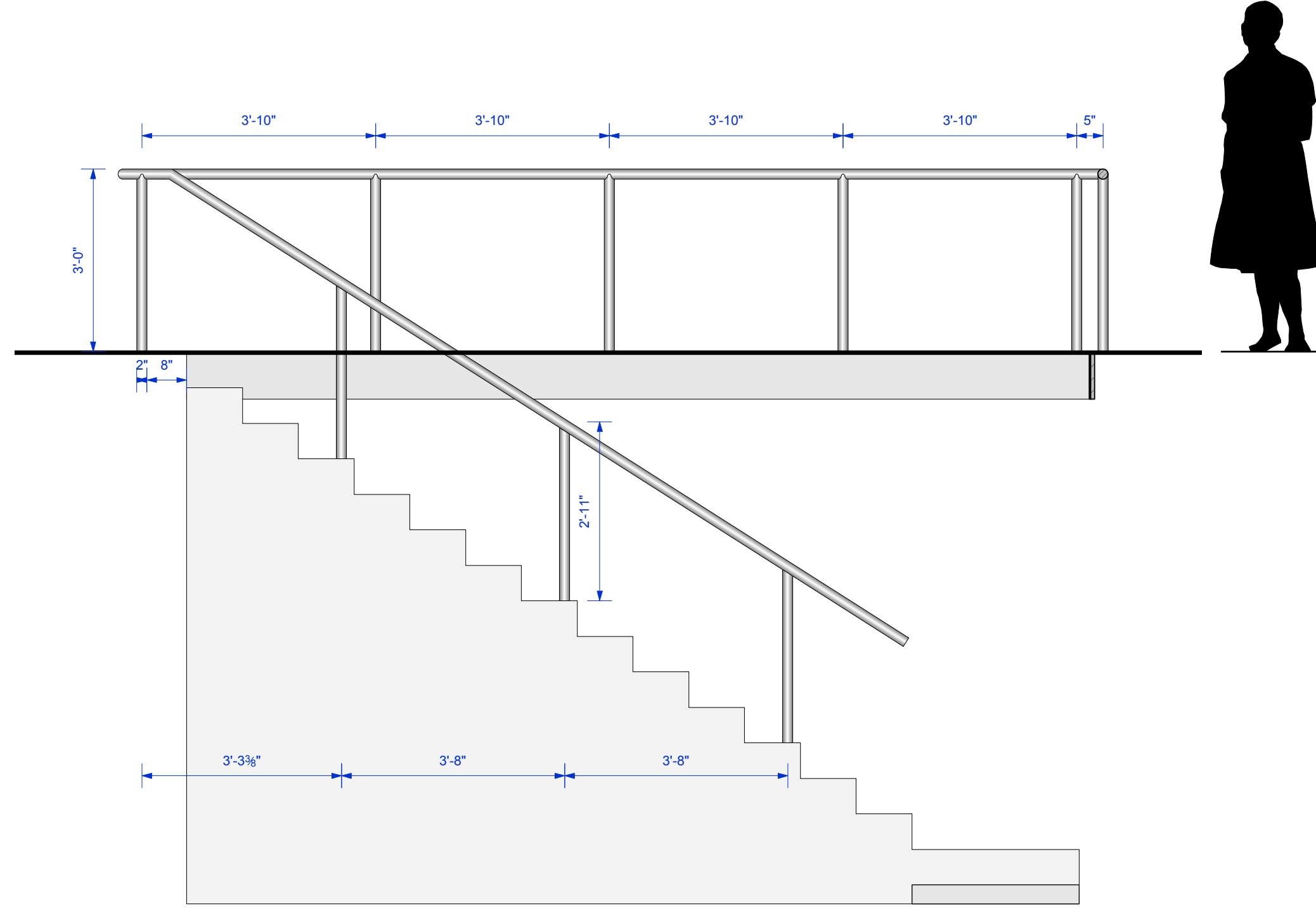
ISSUE DATE: **1.17.2020**

SCALE: **3/8" = 1'-0"**

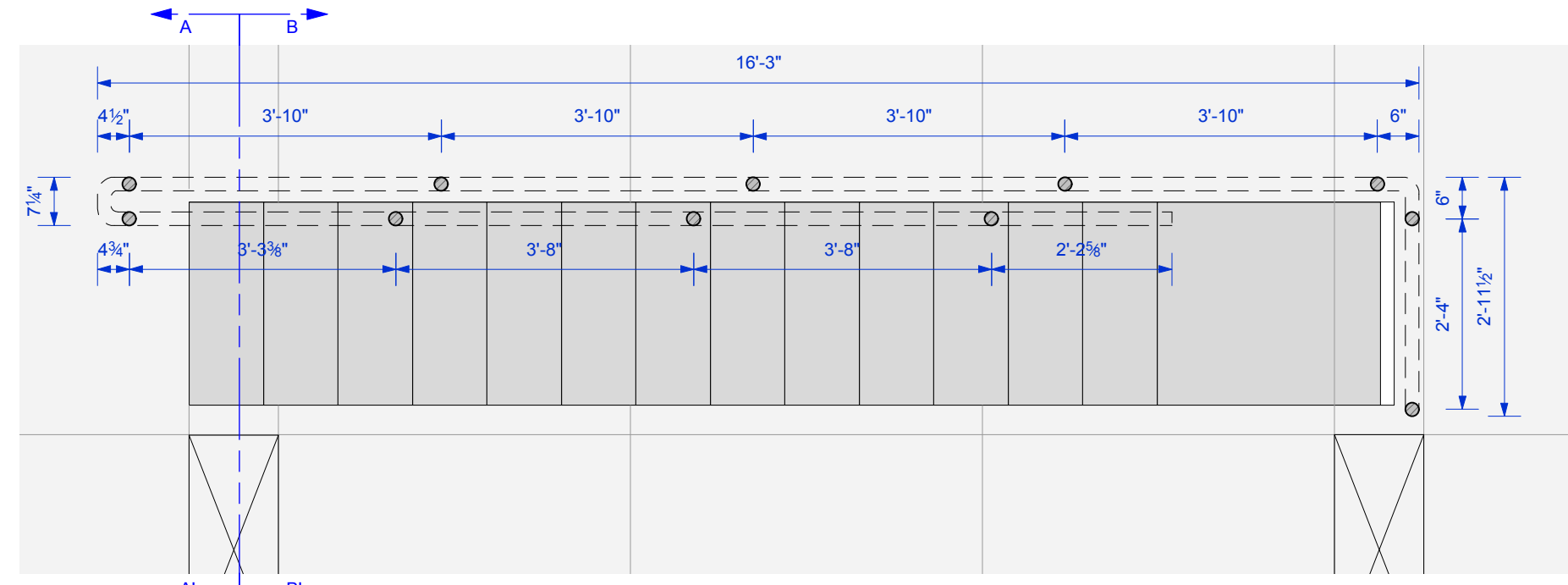




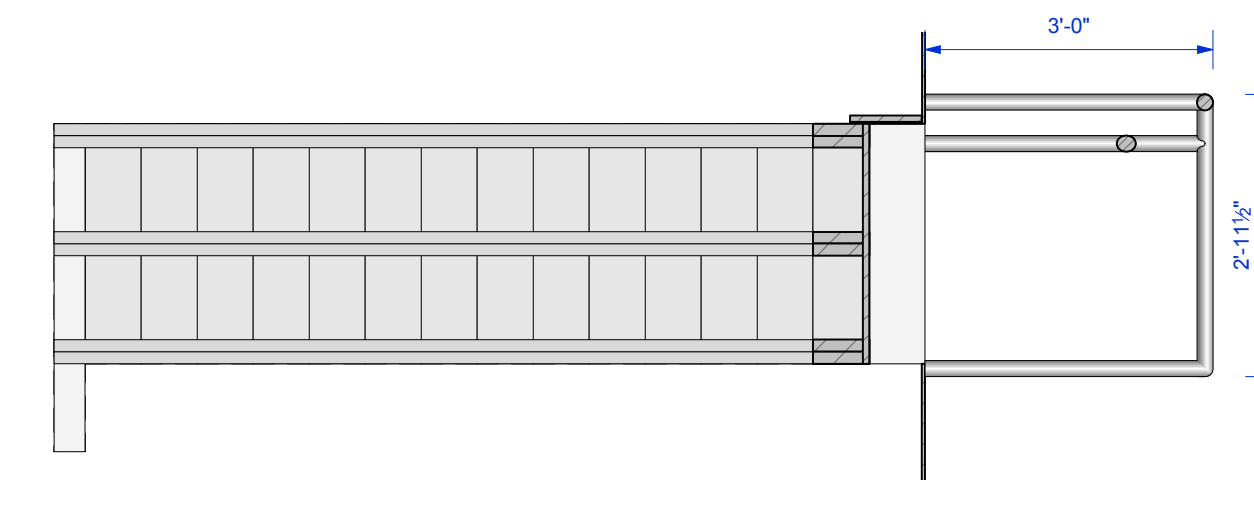
3
4.1 STAIR RAILING section A-A'
Scale: 1/2" = 1'-0"



2
4.1 [Drawing Title]
Scale: 1/2" = 1'-0"



1
4.1 STAIR RAILING Plan
Scale: 1/2" = 1'-0"



4
4.1 STAIR RAILING section B-B'
Scale: 1/2" = 1'-0"

PLATE NUMBER:

4.1

DRAWING TITLE:

STAIR RAILING

DRAWN BY:

ETHAN BROWN

SCALE:

1/2" = 1'-0"

ISSUE DATE:

1.17.2020

RHODA THEATRE : BERKLEY REP

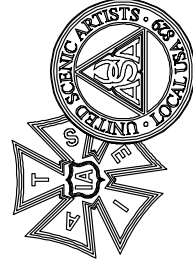
AWOYE TIMPO | DIRECTOR

JASON ARDIZZONE-WEST | SET DESIGN X X | COSTUME DESIGN

STACY DEROSIER | LIGHTING DESIGN X X | CHOREOGRAPHY

X X | SOUND DESIGN X X | MD - CONDUCTOR

X X | MUSIC SUPERVISOR



JASON ARDIZZONE-WEST
SET DESIGN

12 MALVERN RD
SCARSDALE, NY 20883
JASON@ARDIZZONEWEST.COM

This drawing is confidential. The reproduction or use of these arrangements, designs, and plans are prohibited without written consent of the author. The author shall not be held responsible for any errors or omissions in this drawing. The author shall not be held responsible for any damages or injuries resulting from the use of this drawing. The author shall not be held responsible for any discrepancies between the drawing and actual dimensions. This drawing represents concepts and suggestions only. The design team is not responsible for the final construction or installation of the set. The design team is not responsible for the safety of the set. The design team is not responsible for the safety of the set. The design team is not responsible for the safety of the set. Equipment and installation must conform to all local and federal codes and fire safety regulations.

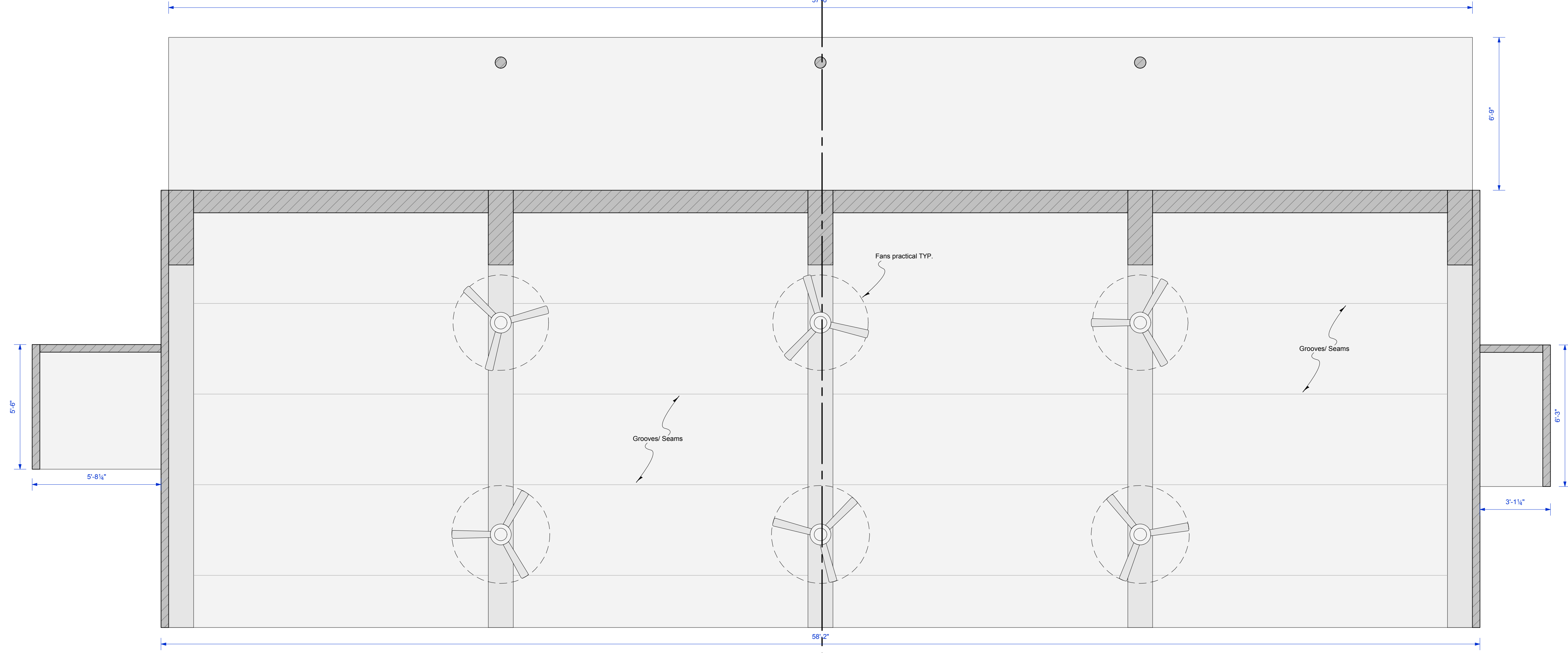


PLATE NUMBER:

5.0

DRAWING TITLE:

REFLECTED CEILING PLAN

DRAWN BY:

ETHAN BROWN

SCALE:

3/8" = 1'-0"

ISSUE DATE:

1.17.2020



RHODA THEATRE : BERKLEY REP

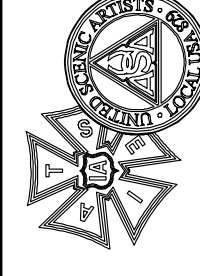
AWOYE TIMPO | DIRECTOR

JASON ARDIZZONE-WEST | SET DESIGN X X | COSTUME DESIGN

STACY DEROSIER | LIGHTING DESIGN X X | CHOREOGRAPHY

X X | SOUND DESIGN X X | MD - CONDUCTOR

X X | MUSIC SUPERVISOR



JASON ARDIZZONE-WEST
SET DESIGN

12 MALVERN RD
SCARSDALE, NY 20683
JASON@ARDIZZONEWEST.COM

This drawing is confidential. The reproduction or use of these arrangements, designs, and plans are prohibited without written consent of Jason Ardzzone-West Set Design. This drawing represents concepts and approximations only. The design team is not responsible for the final installation or construction of the set. All dimensions are in feet and inches. Calculations of this drawing are for informational purposes only. Equipment and installation must conform to all local and federal codes and fire safety regulations.

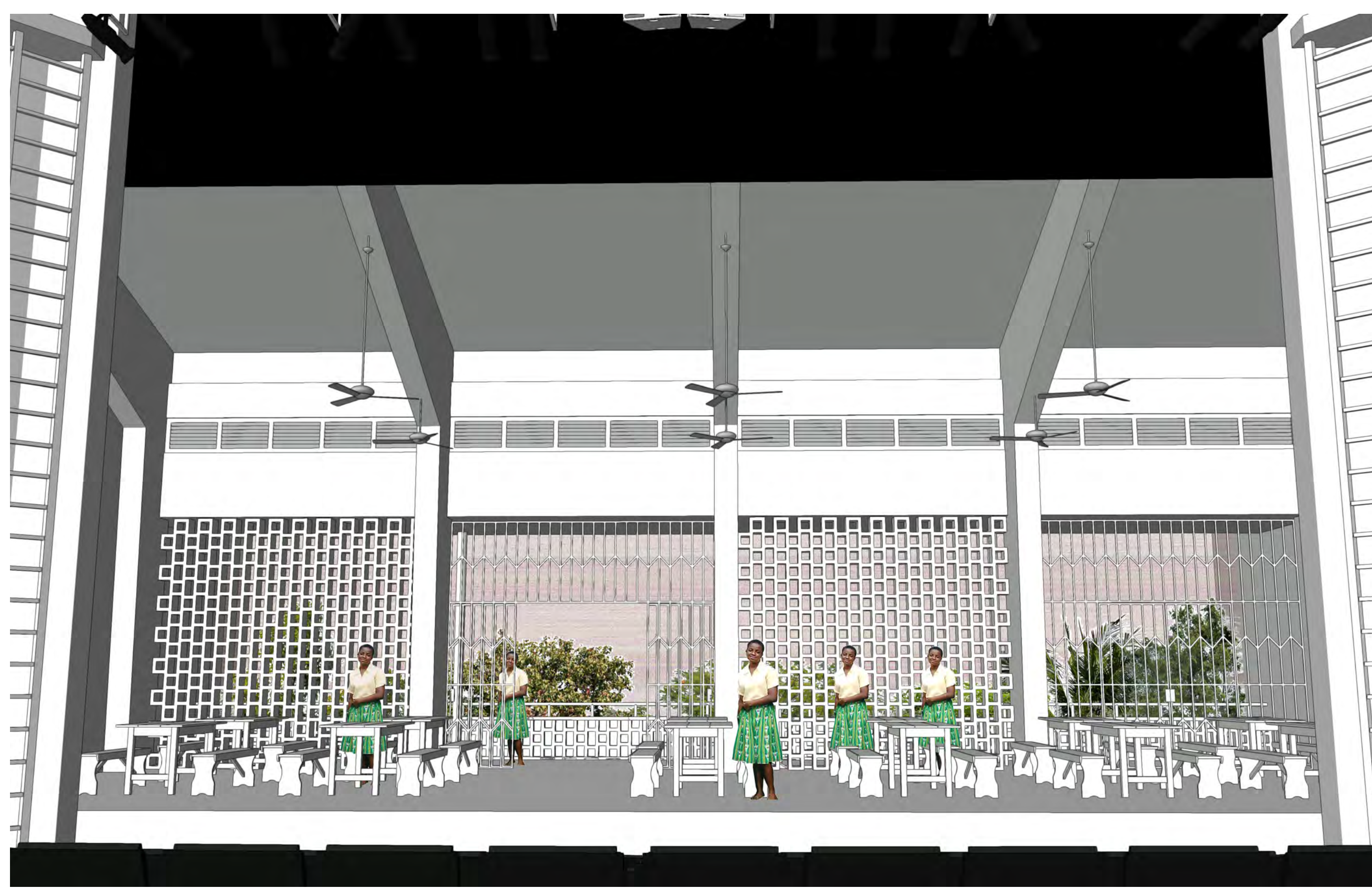
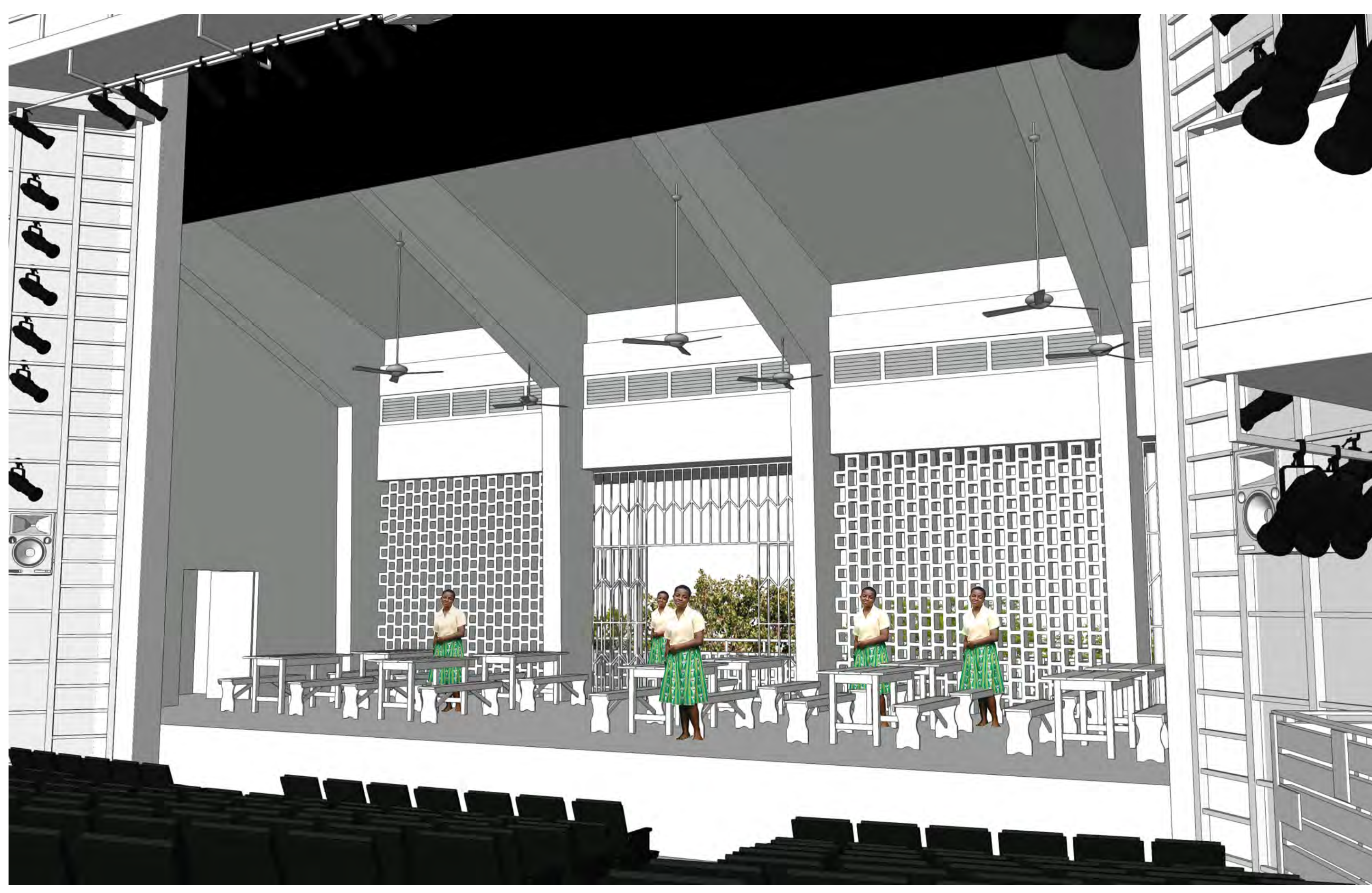


PLATE NUMBER:

6.0

DRAWING TITLE:

3D RENDERING

DRAWN BY:

ETHAN BROWN

SCALE:

ETHAN BROWN

ISSUE DATE:

1.17.2020

RHODA THEATRE : BERKLEY REP

AWOYE TIMPO | DIRECTOR

JASON ARDIZZONE-WEST | SET DESIGN

STACY DEROSIER | LIGHTING DESIGN

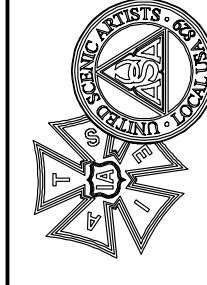
X X | SOUND DESIGN

X X | COSTUME DESIGN

X X | CHOREOGRAPHY

X X | MD - CONDUCTOR

X X | MUSIC SUPERVISOR

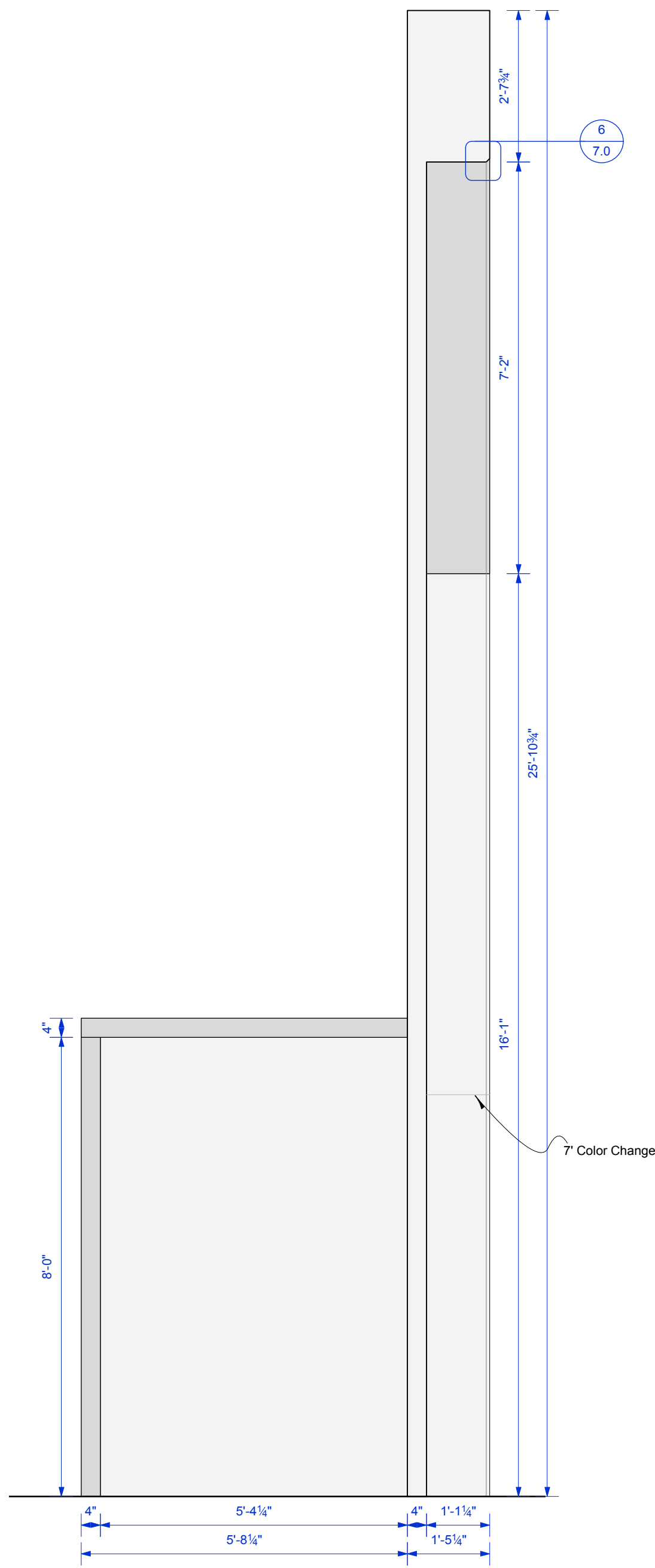


JASON ARDIZZONE-WEST
SET DESIGN

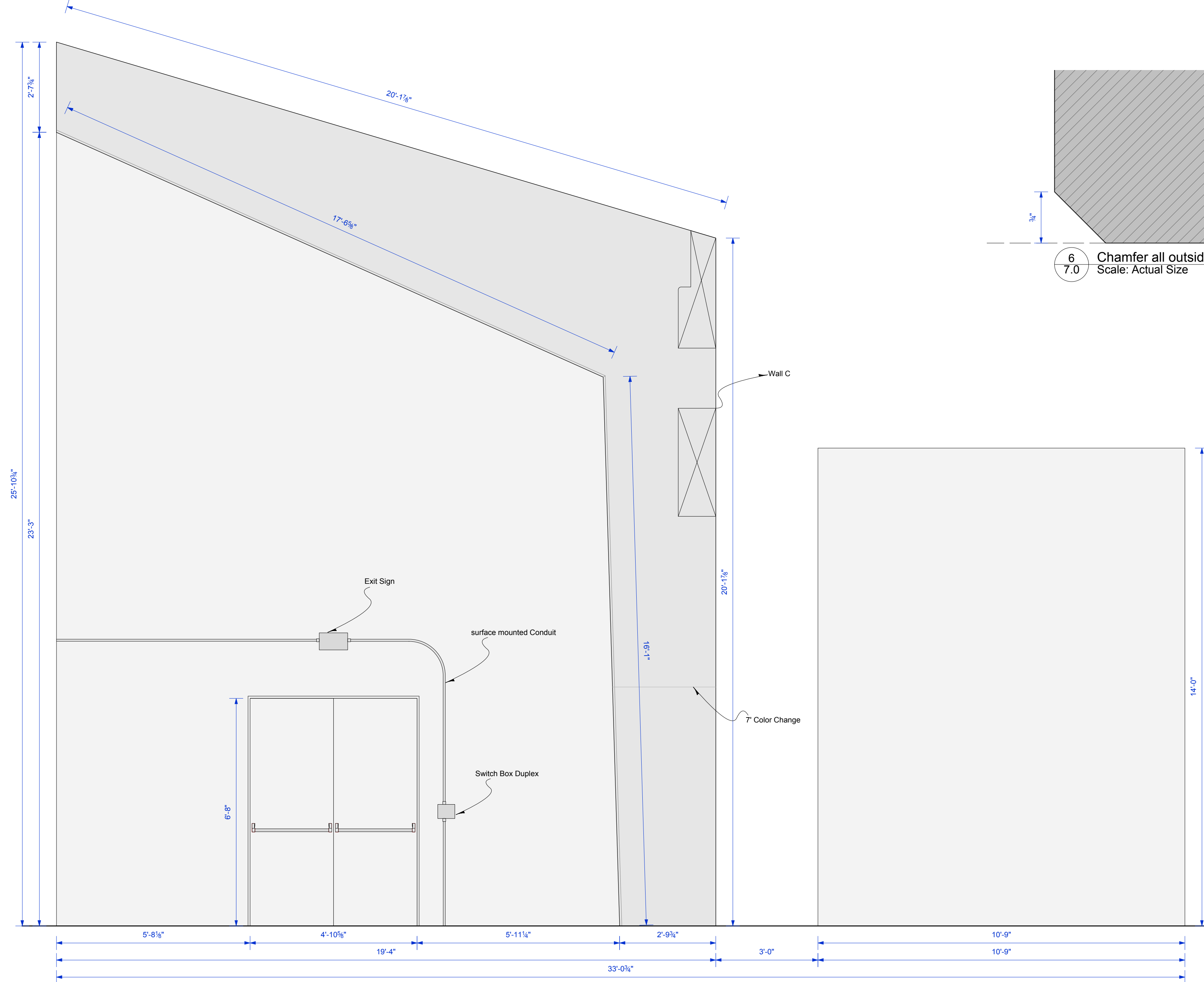
12 MALVERN RD
SCARSDALE, NY 20683
JASON@ARDIZZONEWEST.COM

This drawing is confidential. The reproduction or use of these arrangements, designs, and plans are prohibited without written consent of Jason Ardizzone-West Set Design. The design is intended to be used as a guide for construction and is not to be used for any other purpose. The design is not responsible for any discrepancies between the drawing and actual dimensions. This drawing represents concepts and suggestions only. The design is not responsible for any errors or omissions in the drawing. Construction of this arrangement is subject to the approval of the appropriate authorities. Equipment and installation must conform to all local and federal codes and fire safety regulations.

SCHOOL GIRLS
OR, THE AFRICAN MEAN GIRLS PLAY
AN INECENTIOUS COMEDY WITH TEETH

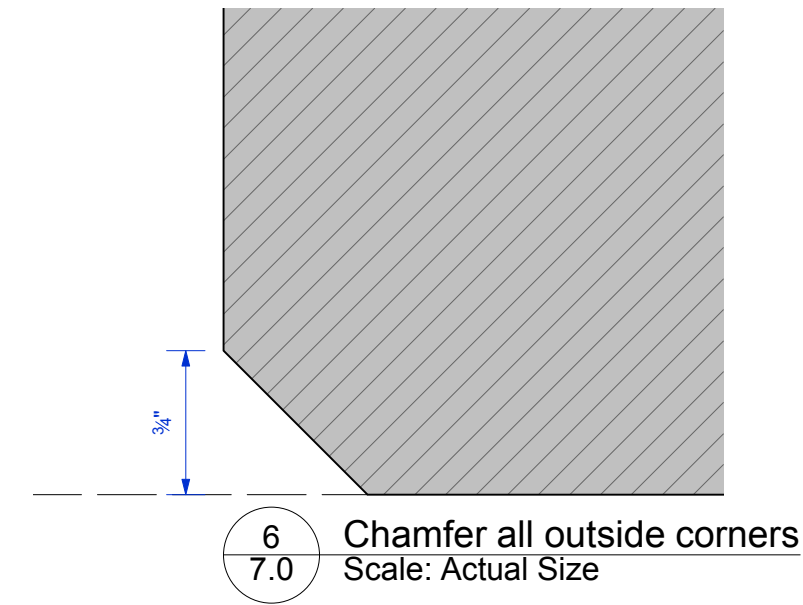


3
7.0 WALL A Front Elevation
Scale: 1/2" = 1'-0"

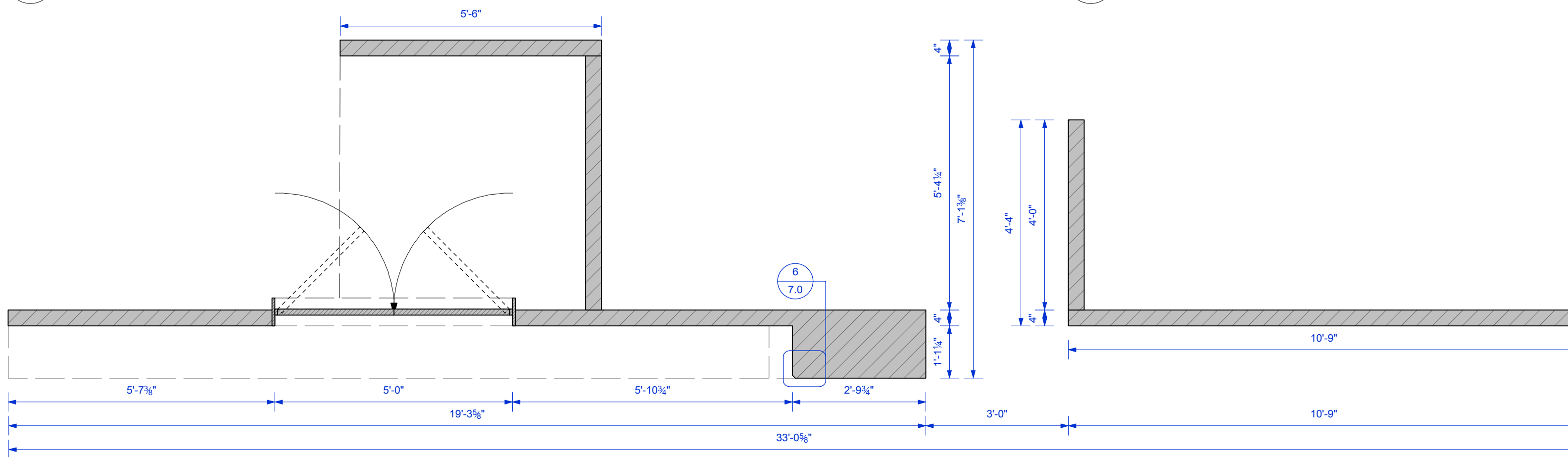


1
7.0 WALL A S.L. Elevation
Scale: 1/2" = 1'-0"

4
7.0 WALL D Elevation
Scale: Actual Size



6
7.0 Chamfer all outside corners
Scale: Actual Size



2
7.0 WALL A Plan
Scale: 1/2" = 1'-0"

5
7.0 WALL D Plan
Scale: Actual Size



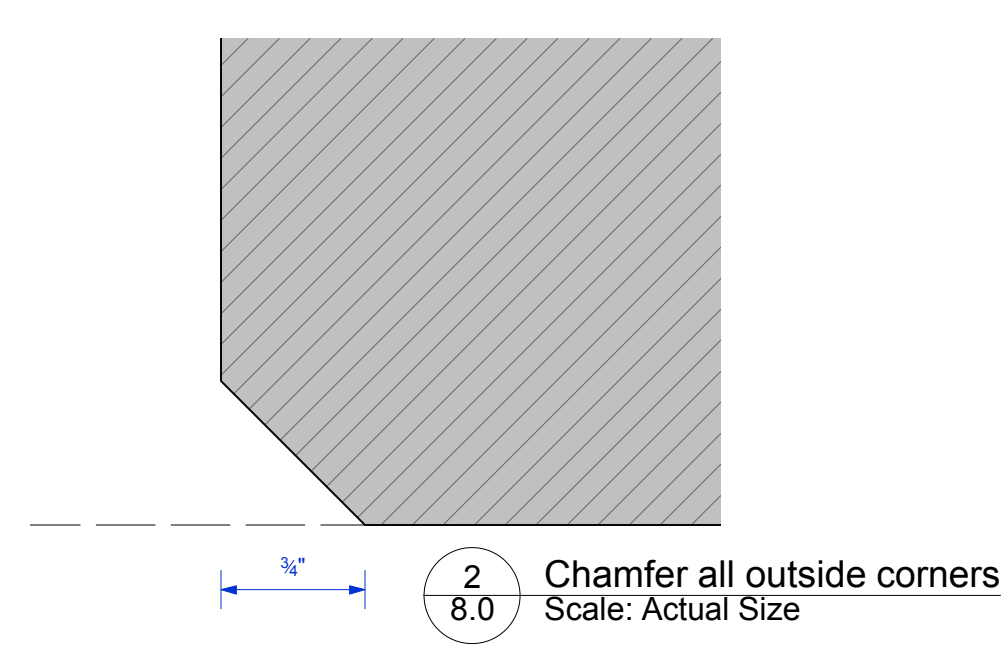
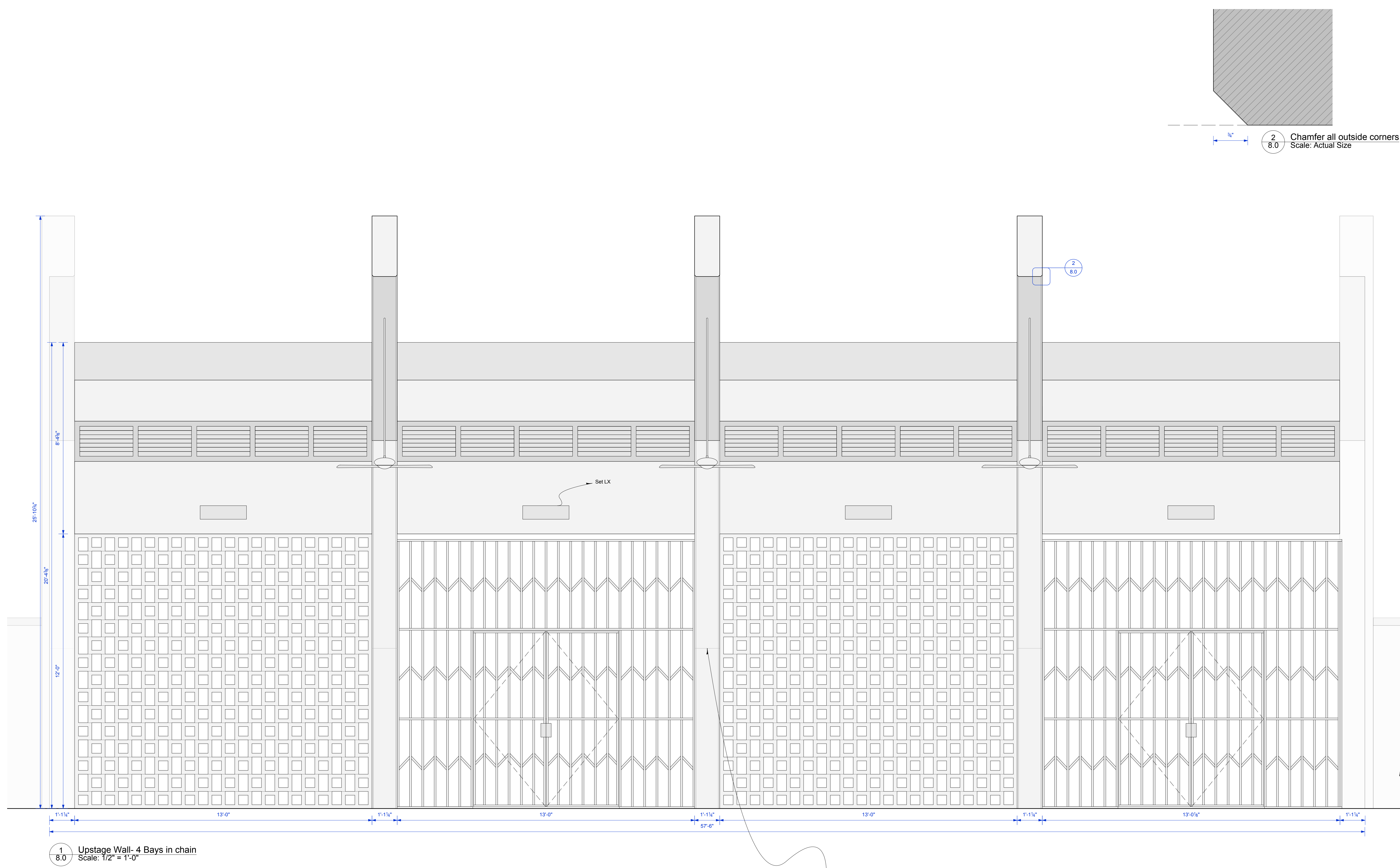
This drawing is confidential. The reproduction or use of these arrangements, designs, and plans are prohibited without written consent of the author. The author shall not be held responsible for any errors or omissions in this drawing. This drawing represents concepts and suggestions only. The designer is not responsible for any discrepancies between the drawing and actual dimensions. The designer shall not be held responsible for any damage to property or injury to persons. The designer shall not be held responsible for any equipment and installation that does not conform to all local and federal codes and fire safety regulations.

RHODA THEATRE : BERKLEY REP
AWOYE TIMPO | DIRECTOR
JASON ARDIZZONE-WEST | SET DESIGN
STACY DEROSIER | LIGHTING DESIGN
X X | COSTUME DESIGN
X X | CHOREOGRAPHY
X X | SOUND DESIGN
X X | MD - CONDUCTOR
X X | MUSIC SUPERVISOR



DRAWING TITLE: **WALL A**
DRAWN BY: **ETHAN BROWN**
SCALE: 1/2" = 1'-0"
ISSUE DATE: **1.17.2020**

PLATE NUMBER: **7.0**



1
8.0 Upstage Wall- 4 Bays in chain
Scale: 1/2" = 1'-0"

7' Line of Color Change

JASON ARDIZZONE-WEST
SET DESIGN

12 MALVERN RD
SCARSDALE, NY 20883
JASON@ARDIZZONEWEST.COM

JASON ARDIZZONE-WEST
SET DESIGN

This drawing is confidential. The reproduction or use of these arrangements, designs, and plans are prohibited without written consent of Jason Ardizzone-West. This drawing is the property of Jason Ardizzone-West and is to be used only for the project and location specified. Any other use or reproduction is strictly prohibited. This drawing represents concepts and suggestions only. The designer assumes no responsibility for the construction of the set or for the safety of the set. The designer is not responsible for the construction of the set or for the safety of the set. The designer is not responsible for the construction of the set or for the safety of the set. Equipment and installation must conform to all local and federal codes and fire safety regulations.

RHODA THEATRE :: BERKLEY REP

AWOYE TIMPO | DIRECTOR
X X | COSTUME DESIGN
X X | CHOREOGRAPHY

STACY DEROSIER | LIGHTING DESIGN
X X | SOUND DESIGN
X X | MD - CONDUCTOR
X X | MUSIC SUPERVISOR

SCHOOL GIRLS
OR, THE AFRICAN MEAN GIRLS PLAY
AN INFECTIOUS COMEDY WITH TEETH

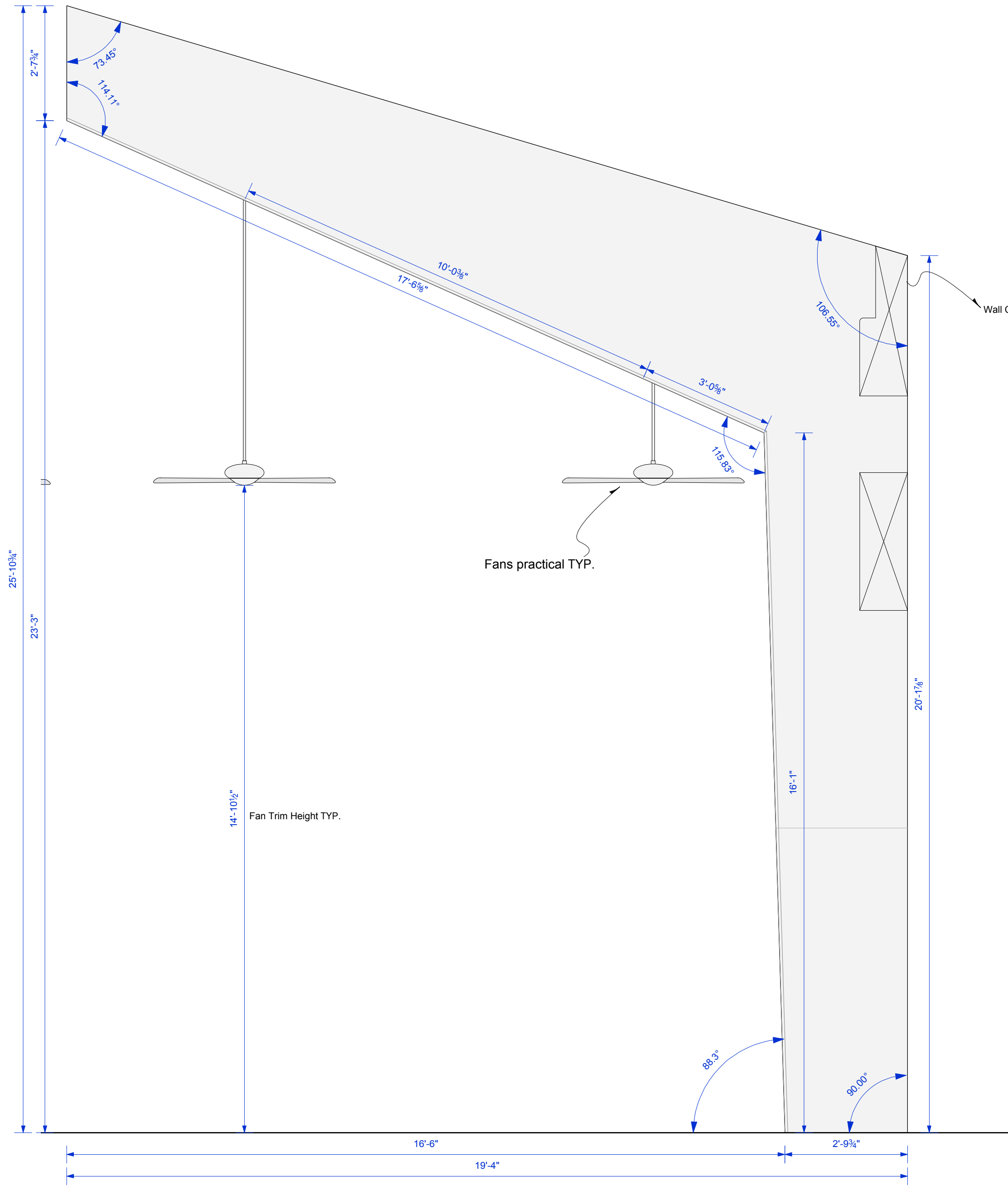
DRAWING TITLE:
**UPSTAGE WALL
(COMPLETE CHAIN)**

DRAWN BY:
ETHAN BROWN

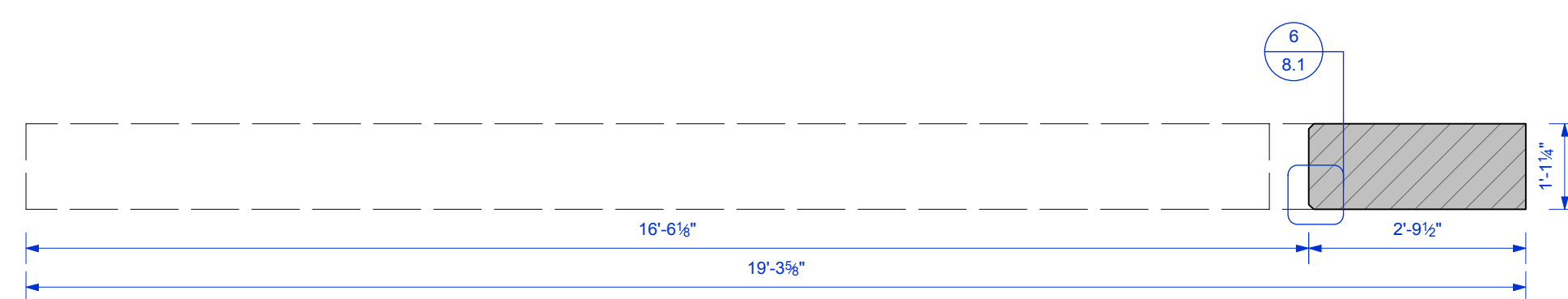
SCALE:
1/2" = 1'-0"

ISSUE DATE:
1.17.2020

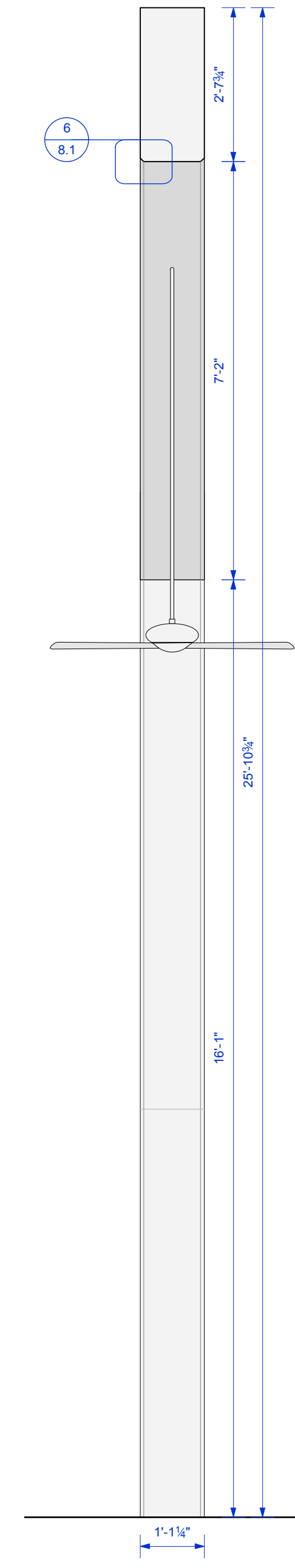
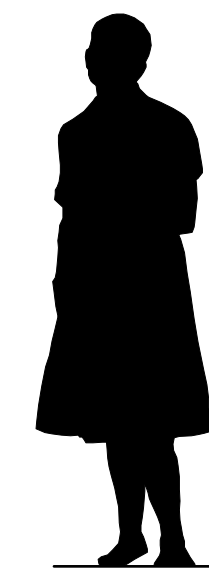
PLATE NUMBER:
8.0



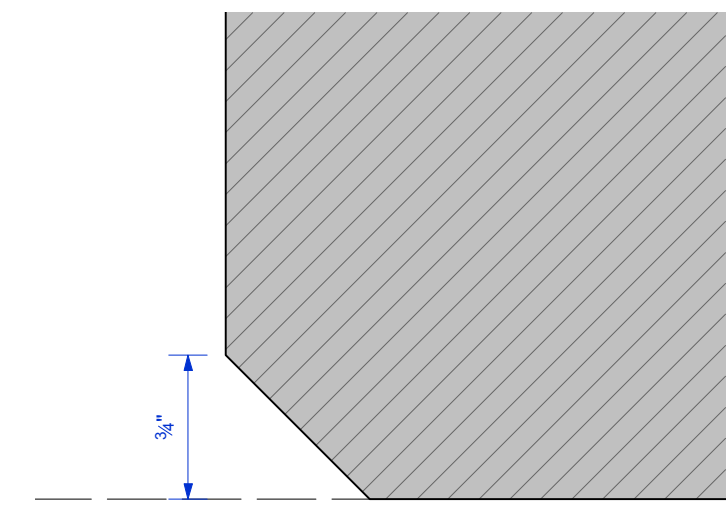
1 Framing Structure Elevation (TYP)
8.1 Scale: 1/2" = 1'-0"



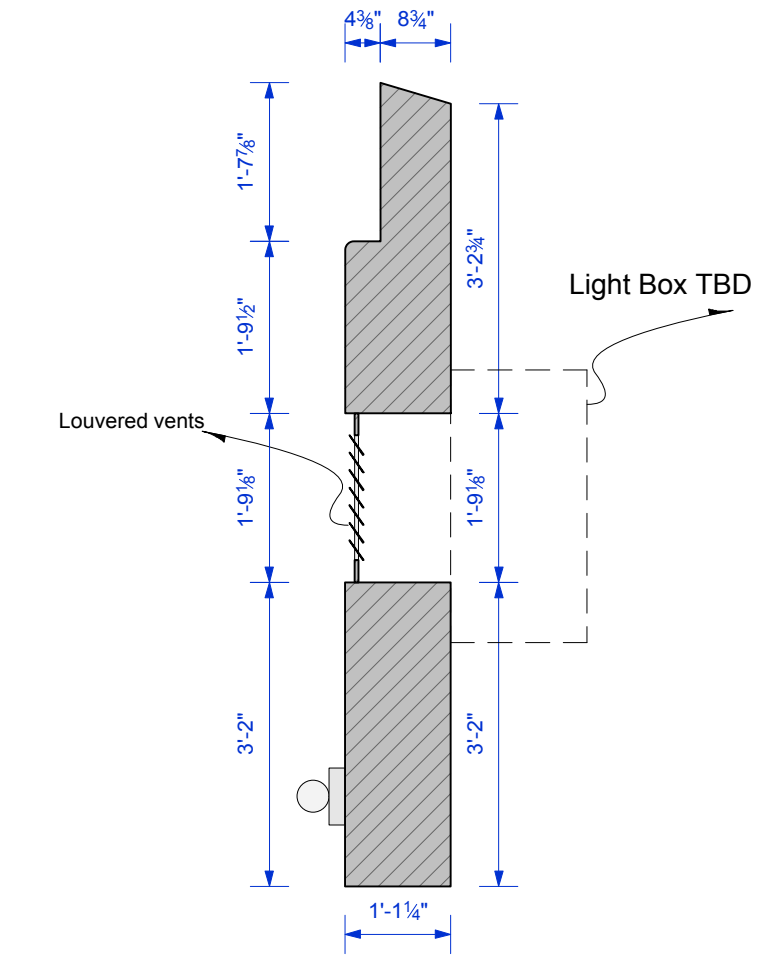
2 Framing Structure Plan
8.1 Scale: 1/2" = 1'-0"



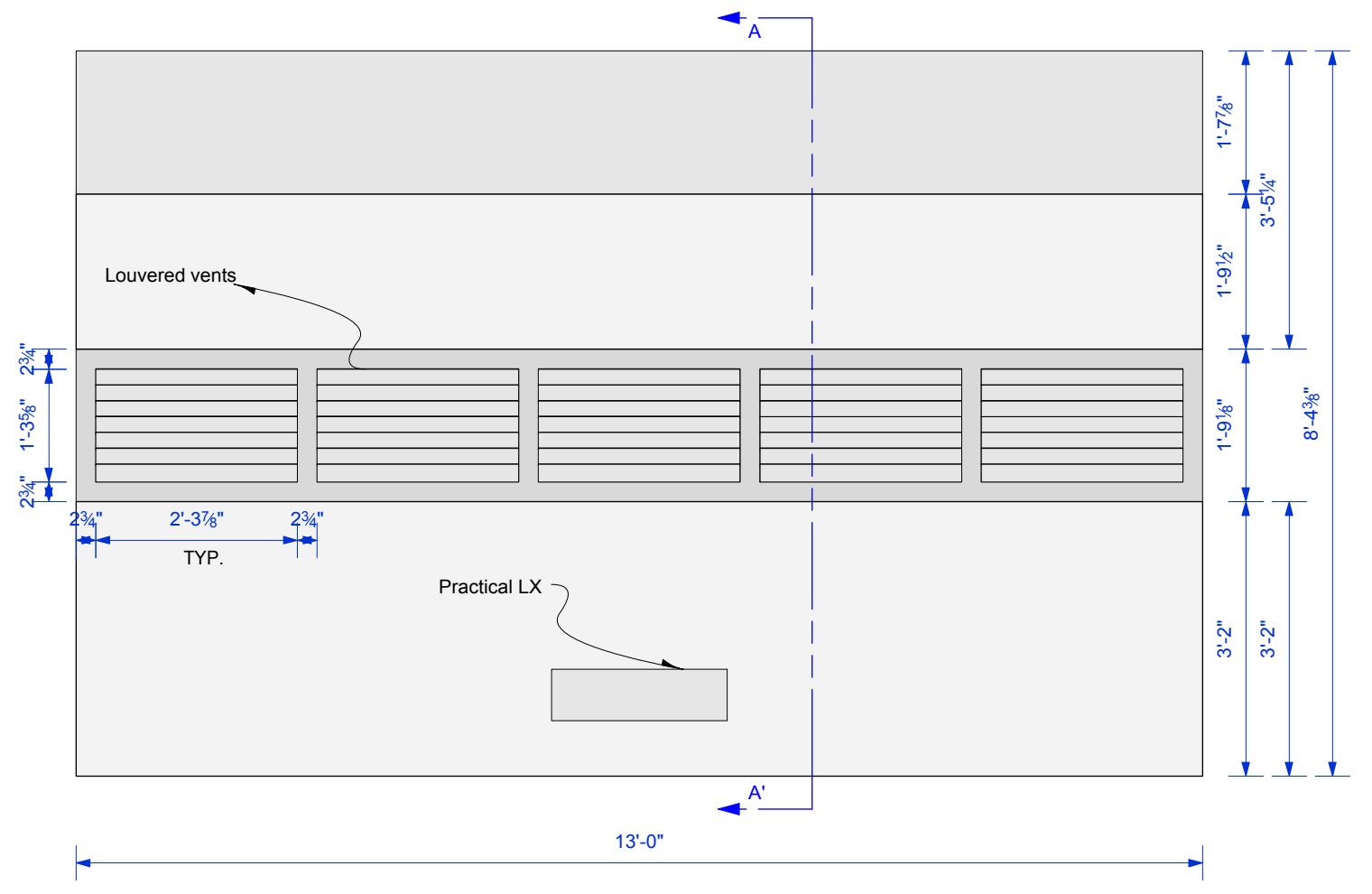
3 Framing Structure Front Elevation
8.1 Scale: 1/2" = 1'-0"



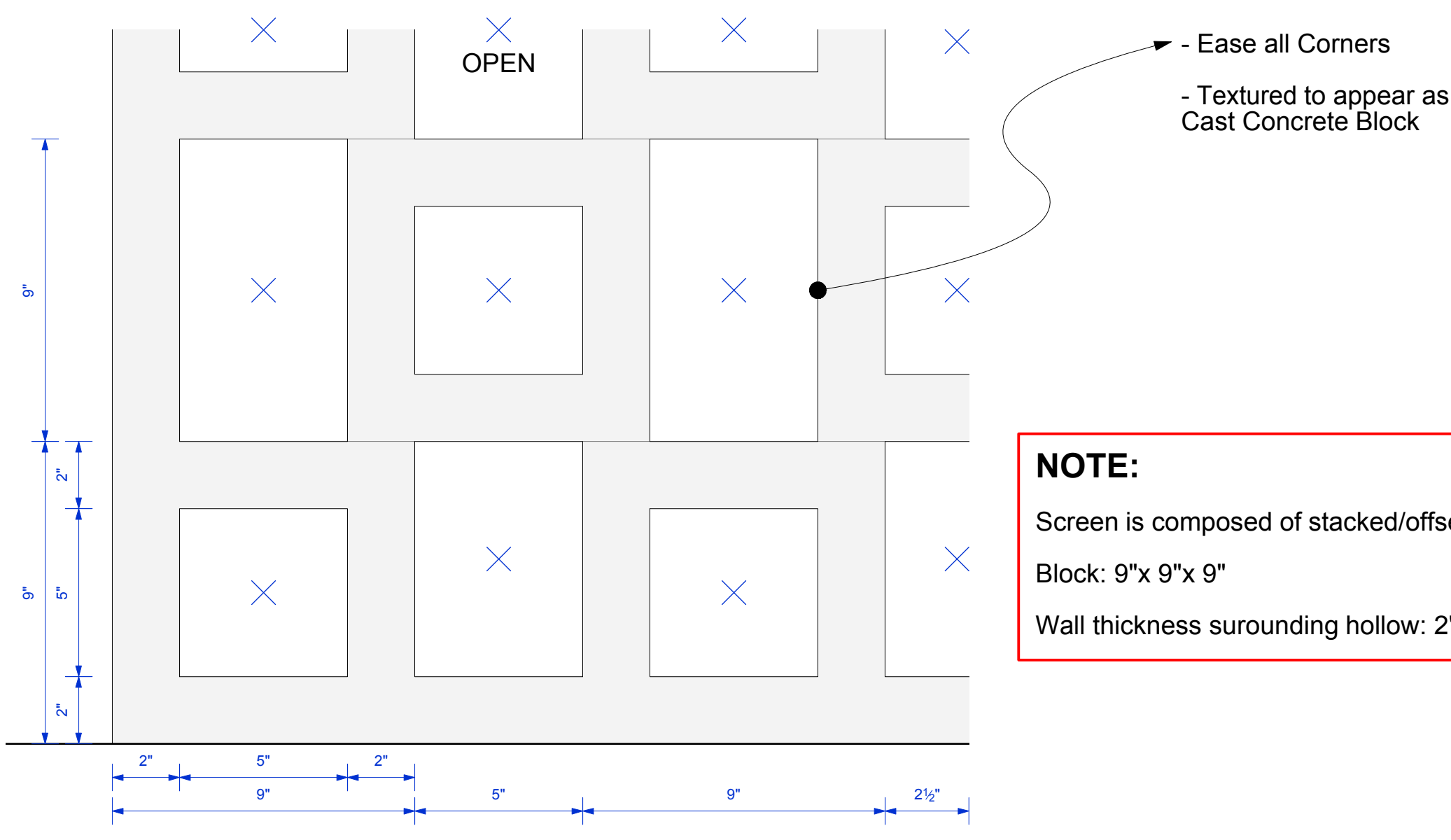
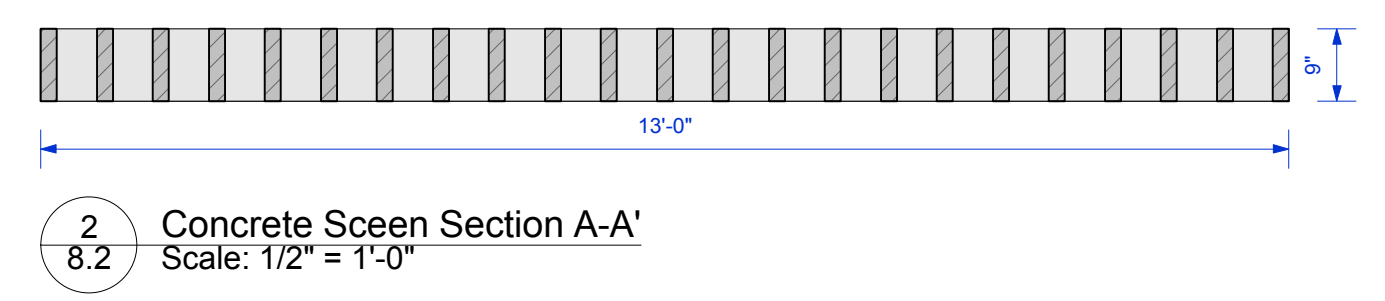
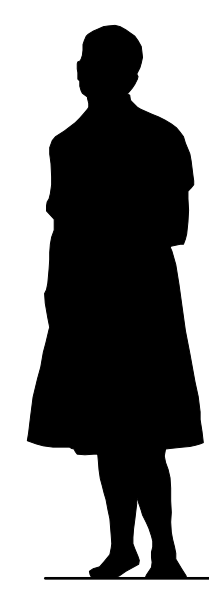
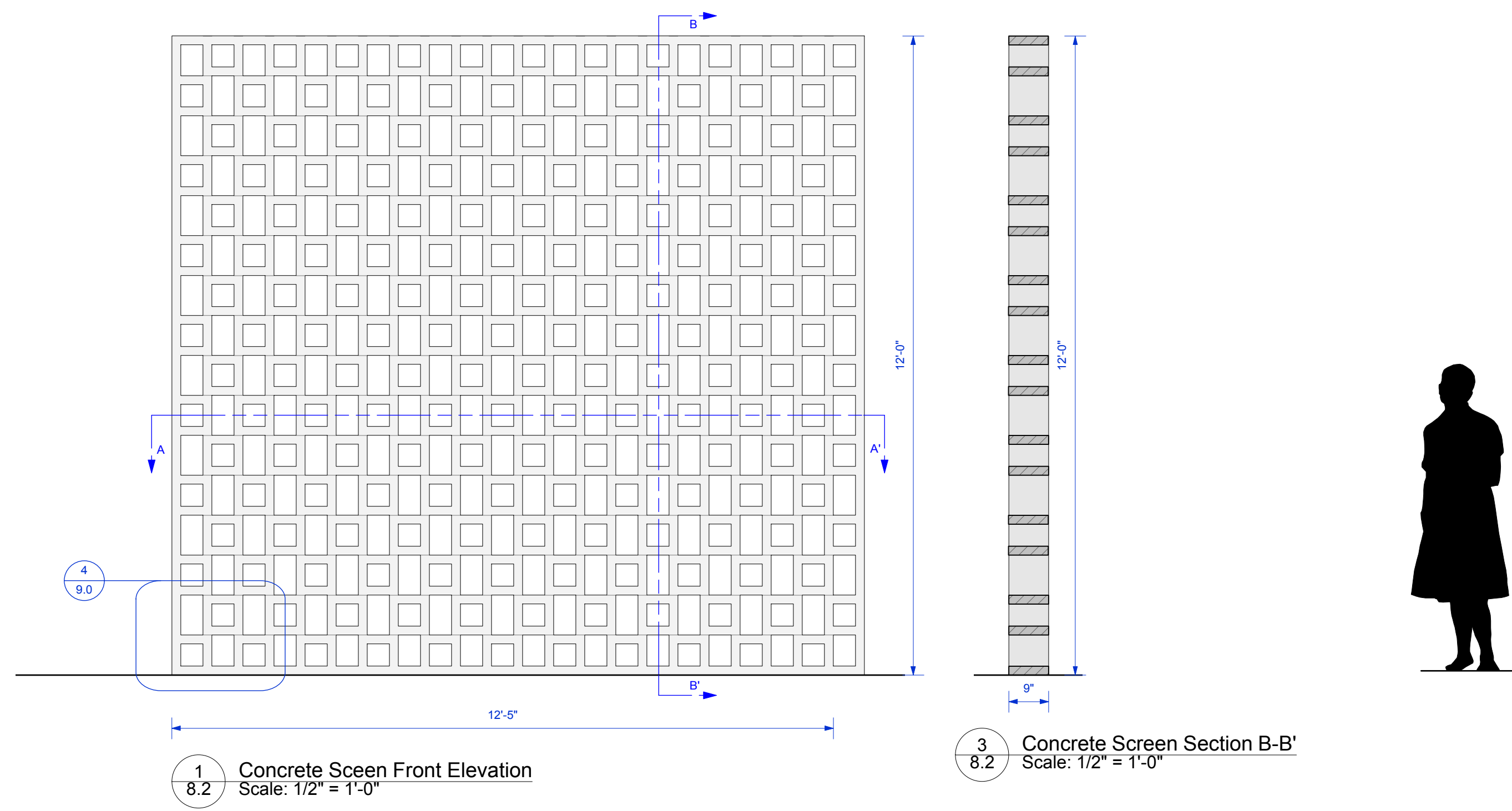
6 Chamfer all outside corners
8.1 Scale: Actual Size



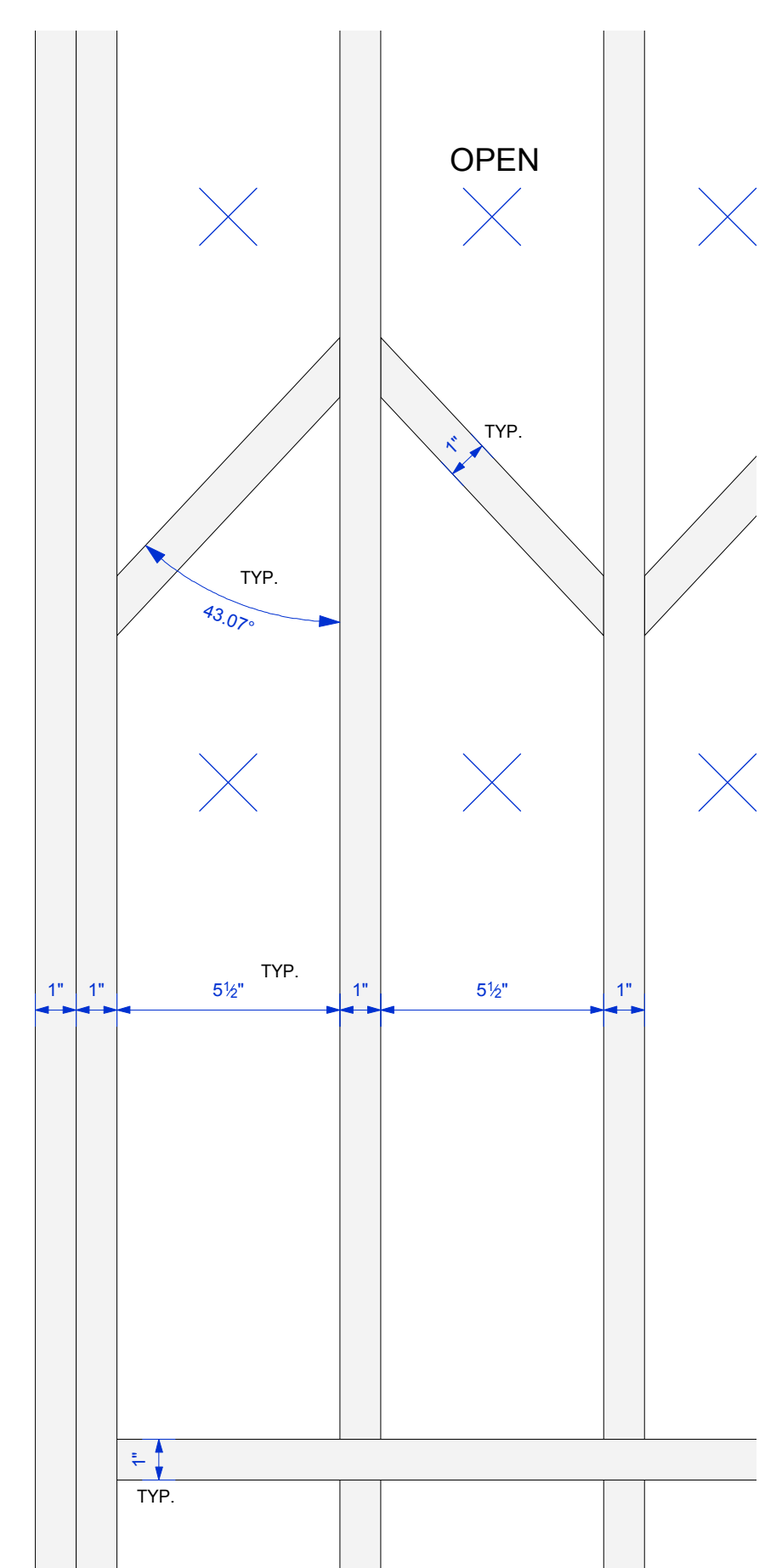
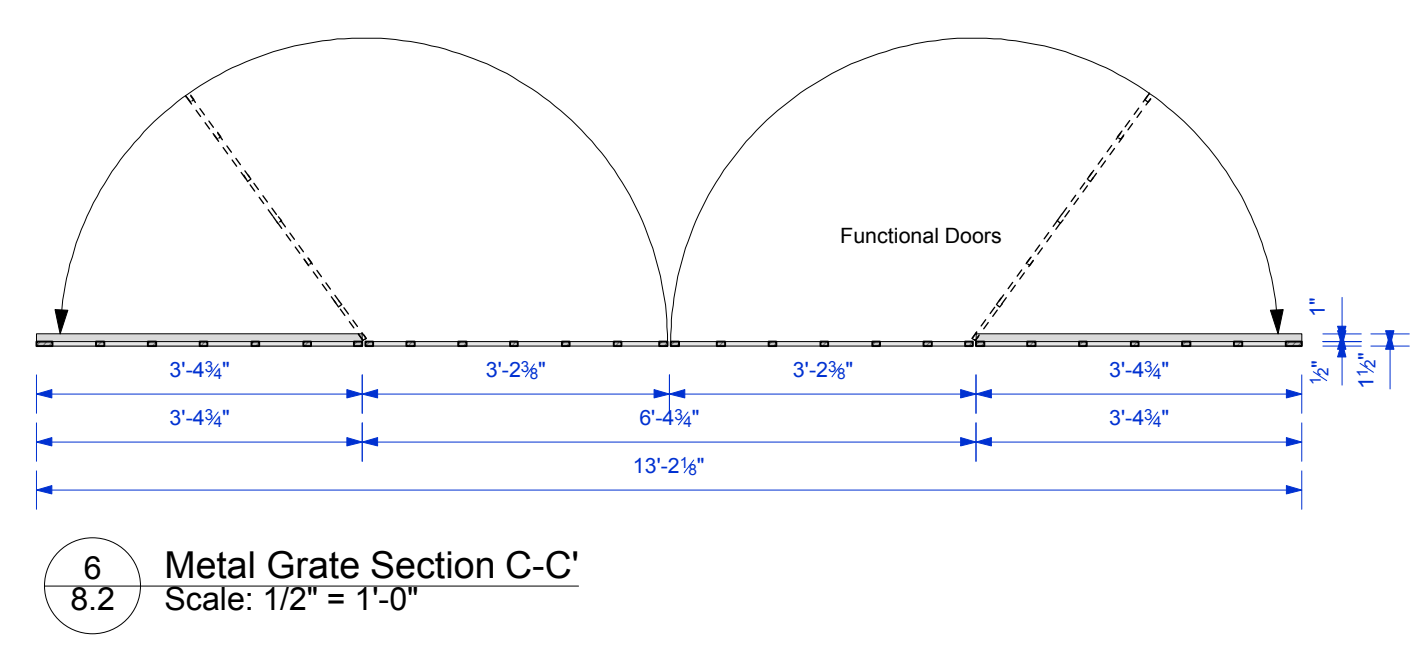
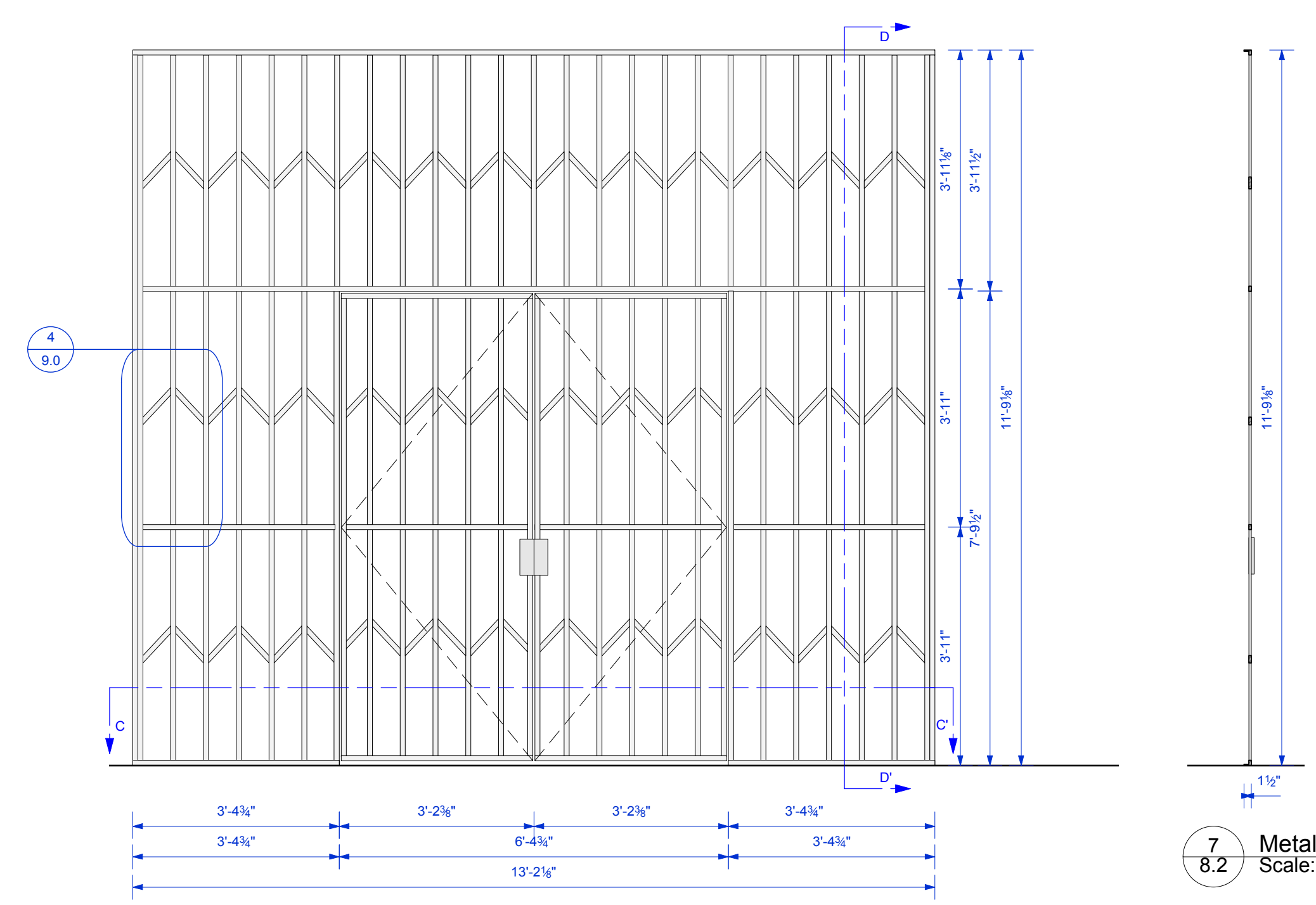
5 Wall C Section A-A'
8.1 Scale: 1/2" = 1'-0"

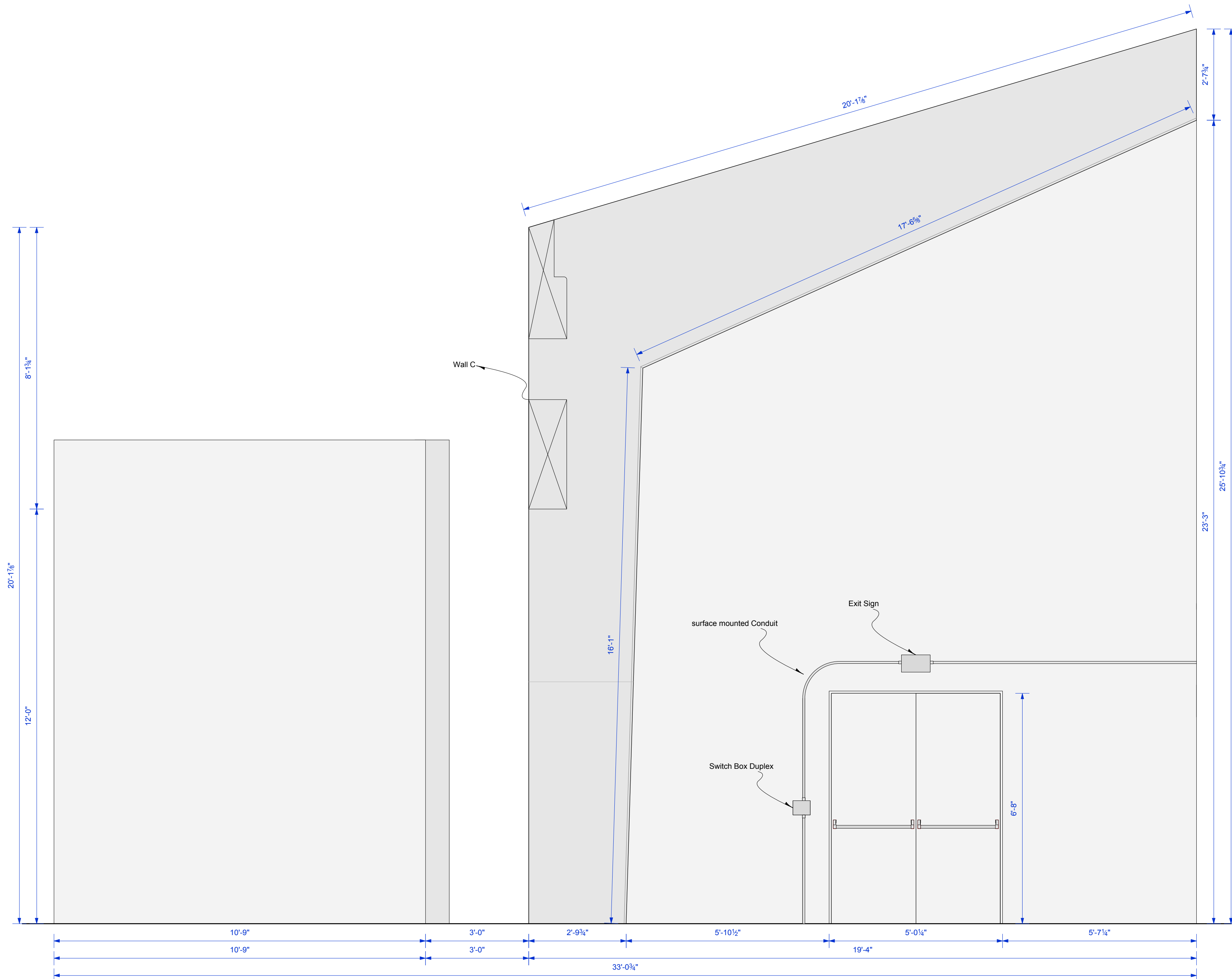


4 Wall C Elevation (TYP)
8.1 Scale: 1/2" = 1'-0"



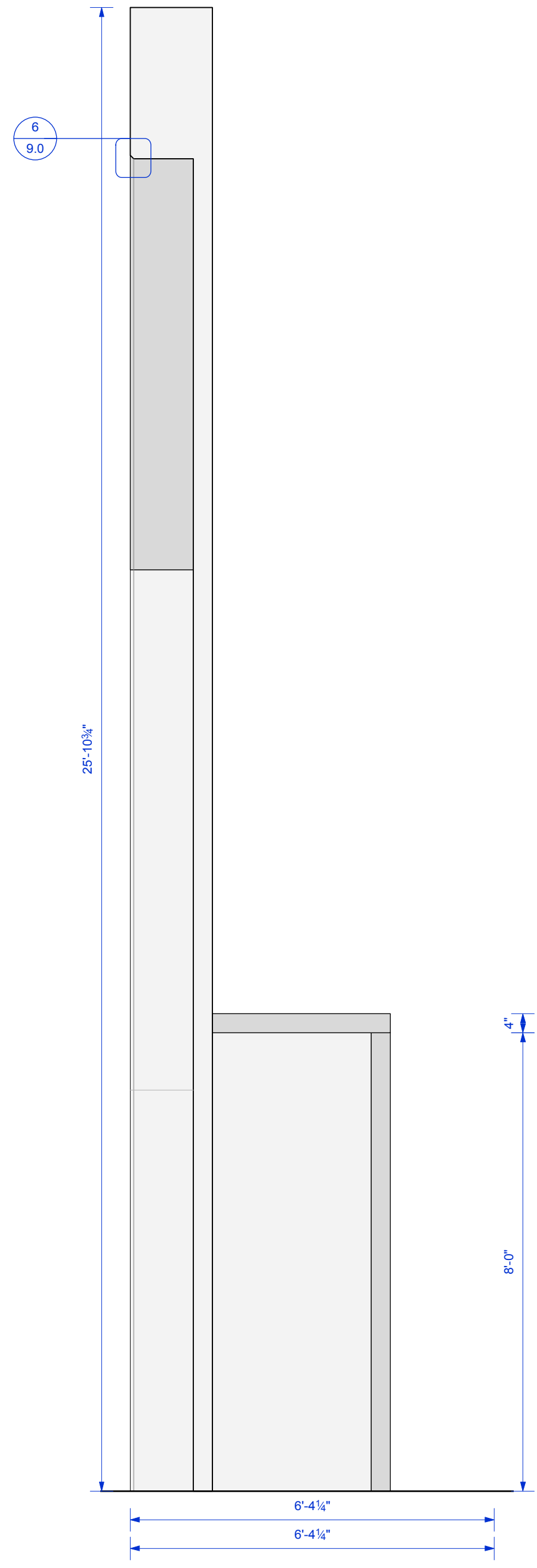
NOTE:
Screen is composed of stacked/offset unit block.
Block: 9"x 9"x 9"
Wall thickness surrounding hollow: 2"



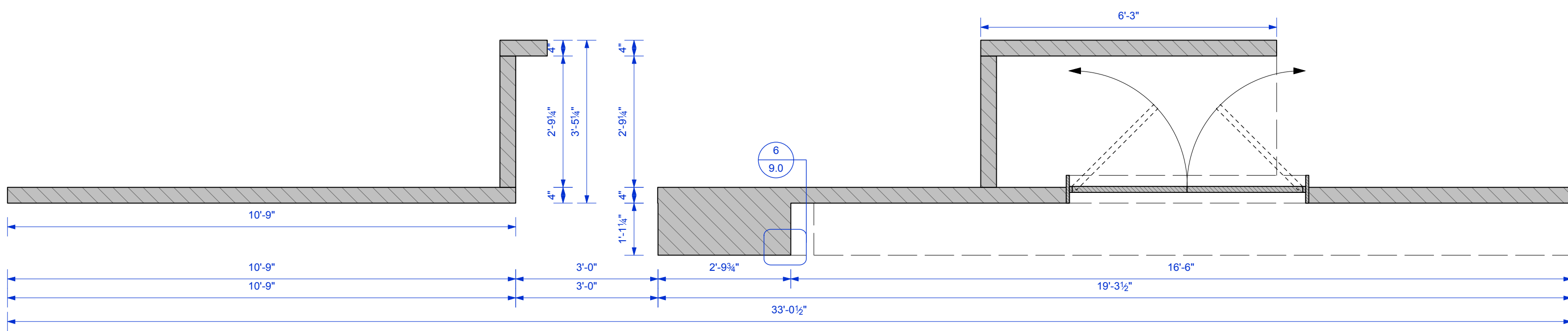


4 WALL E S.R. Elevation
Scale: Actual Size

1 WALL C S.R. Elevation
Scale: 1/2" = 1'-0"

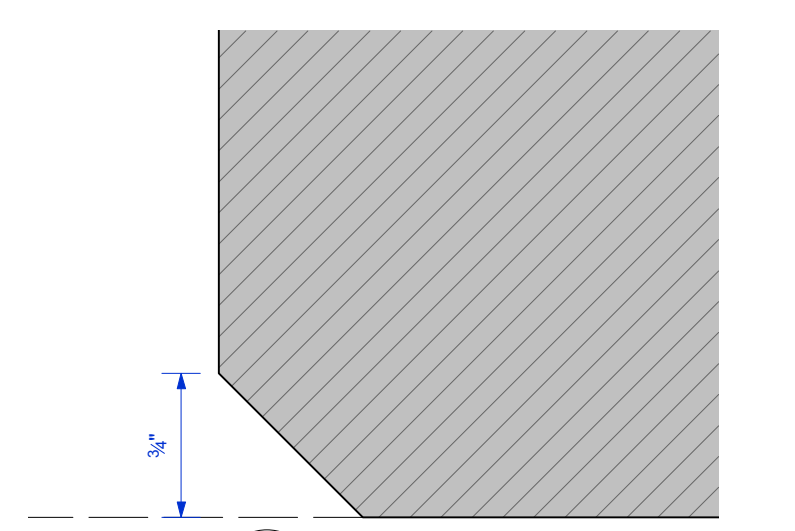


3 WALL C Front Elevation
Scale: 1/2" = 1'-0"



5 WALL E PLAN
Scale: Actual Size

2 WALL C Plan
Scale: 1/2" = 1'-0"



6 Chamfer all outside corners
Scale: Actual Size

JASON ARDIZZONE-WEST
SET DESIGN

12 MALVERN RD
SCARSDALE, NY 20683
JASON@ARDIZZONEWEST.COM

This drawing is confidential. The reproduction or use of these drawings, designs, and plans are prohibited without written consent of the author. The author is not responsible for any errors or omissions in this drawing. The author is not responsible for any damages or liabilities resulting from the use of these drawings. The author is not responsible for any accidents or injuries resulting from the use of these drawings. The author is not responsible for any equipment and installation that does not conform to all local and federal codes and fire safety regulations.

RHODA THEATRE : BERKLEY REP

AWOYE TIMPO | DIRECTOR X X | COSTUME DESIGN
JASON ARDIZZONE-WEST | SET DESIGN X X | CHOREOGRAPHY
STACY DEROSIER | LIGHTING DESIGN X X | CHOREOGRAPHY
X X | SOUND DESIGN X X | MD - CONDUCTOR
X X | MUSIC SUPERVISOR

SCHOOL GIRLS
OR, THE AFRICAN MEAN GIRLS PLAY
AN INFECTIOUS COMEDY WITH TEETH

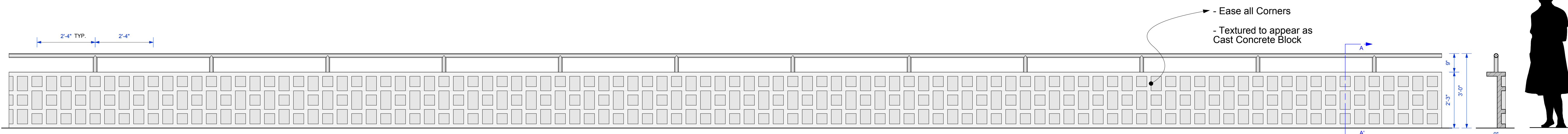
DRAWING TITLE: **WALL C**

SCALE: **1/2" = 1'-0"**

ISSUE DATE: **1.17.2020**

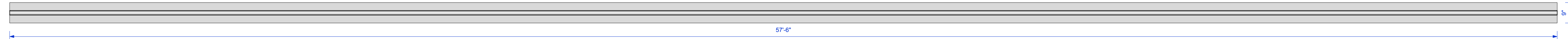
DRAWN BY: **ETHAN BROWN**

PLATE NUMBER: **9.0**



1 Railing Elevation
Scale: 1/2" = 1'-0"

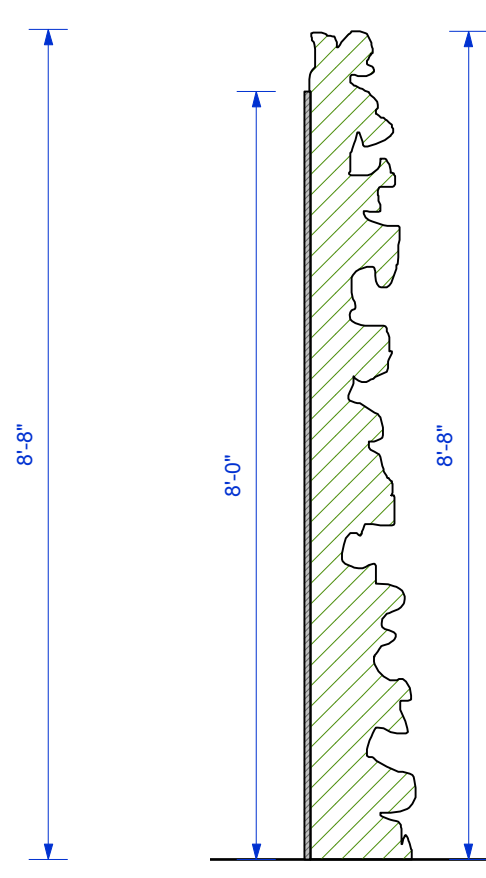
3 Railing Section
Scale: 1/2" = 1'-0"



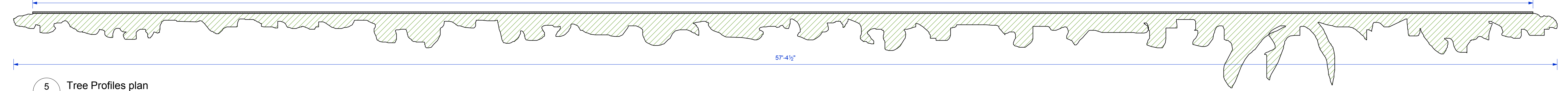
2 Railing Plan
Scale: 1/2" = 1'-0"



4 Tree Profiles TBD
Scale: 1/2" = 1'-0"



6 Tree Profiles Section
Scale: 1/2" = 1'-0"



5 Tree Profiles plan
Scale: 1/2" = 1'-0"

JASON ARDIZZONE-WEST
SET DESIGN

12 MALVERN RD
SCARSDALE, NY 20683
JASON@ARDIZZONEWEST.COM

This drawing is confidential. The reproduction or use of these arrangements, designs, and plans are prohibited without written consent of the author. The author shall not be held responsible for any errors or omissions in this drawing. The design team is not responsible for any discrepancies between the drawing and actual dimensions. This drawing represents concepts and suggestions only. The design team is not responsible for any construction or installation errors. Construction of any structure shall be in accordance with applicable codes and regulations. Equipment and installation must conform to all local and federal codes and fire safety regulations.

RHODA THEATRE : BERKLEY REP

AWOYE TIMPO | DIRECTOR
JASON ARDIZZONE-WEST | SET DESIGN
STACY DEROSIER | LIGHTING DESIGN
X X | COSTUME DESIGN
X X | CHOREOGRAPHY
X X | SOUND DESIGN
X X | MD - CONDUCTOR
X X | MUSIC SUPERVISOR

SCHOOL GIRLS
OR, THE AFRICAN MEAN GIRLS PLAY
AN INECTIOUS COMEDY WITH TEETH

PLATE NUMBER: **10.0**

DRAWING TITLE: **RAILING AND TREE PROFILES**

ISSUE DATE: **1.17.2020**

SCALE: **1/2" = 1'-0"**

DRAWN BY: **ETHAN BROWN**



1
11 CYC Elevation
Scale: 1/2" = 1'-0"



2
11 CYC Plan
Scale: 1/2" = 1'-0"



3
11 DS BORDER
Scale: 1/2" = 1'-0"



4
11 DS BORDER Plan
Scale: 1/2" = 1'-0"

JASON ARDIZZONE-WEST
SET DESIGN

12 MALVERN RD
SCARSDALE, NY 20683
JASON@ARDIZZONEWEST.COM

This drawing is confidential. The reproduction or use of these arrangements, designs, and plans are prohibited without written consent of the author. The author shall not be held responsible for any errors or omissions in this drawing. The author shall not be held responsible for any discrepancies between the drawing and actual dimensions. This drawing represents concepts and suggestions only. The design team is not responsible for any construction or installation of the design. The design team shall not be held responsible for any damage to the property of the client. The design team shall not be held responsible for any equipment and installation that does not conform to all local and federal codes and fire safety regulations.

RHODA THEATRE : BERKLEY REP

AWOYE TIMPO | DIRECTOR X X | COSTUME DESIGN
 JASON ARDIZZONE-WEST | SET DESIGN X X | CHOREOGRAPHY
STACY DEROSIER | LIGHTING DESIGN X X | MD - CONDUCTOR
 X X | SOUND DESIGN X X | MUSIC SUPERVISOR

SCHOOL GIRLS
OR, THE AFRICAN MEAN GIRLS PLAY
AN INFECTIOUS COMEDY WITH TEETH

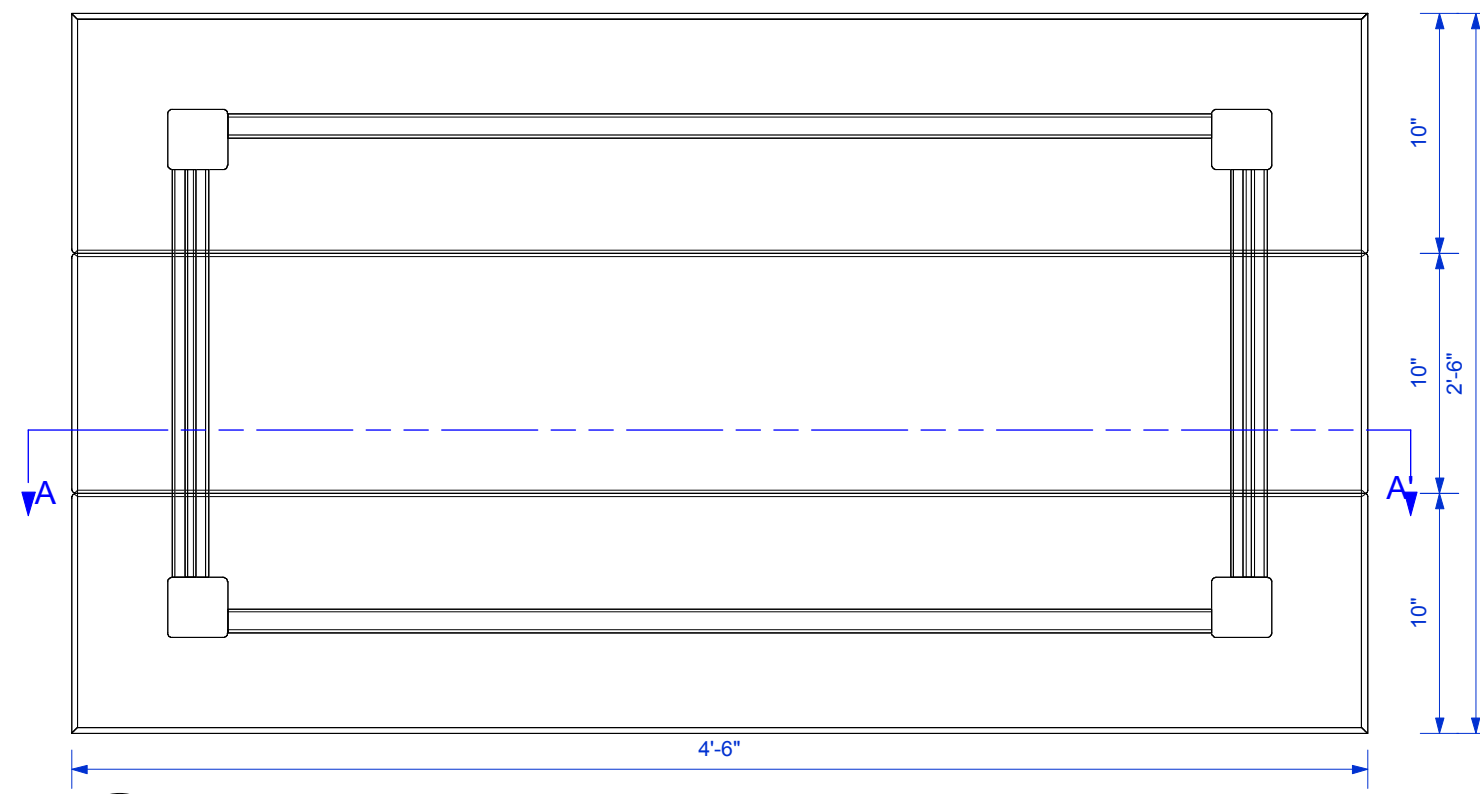
PLATE NUMBER: **11.0**

DRAWING TITLE: **SOFT GOODS**

SCALE: **1/2" = 1'-0"**

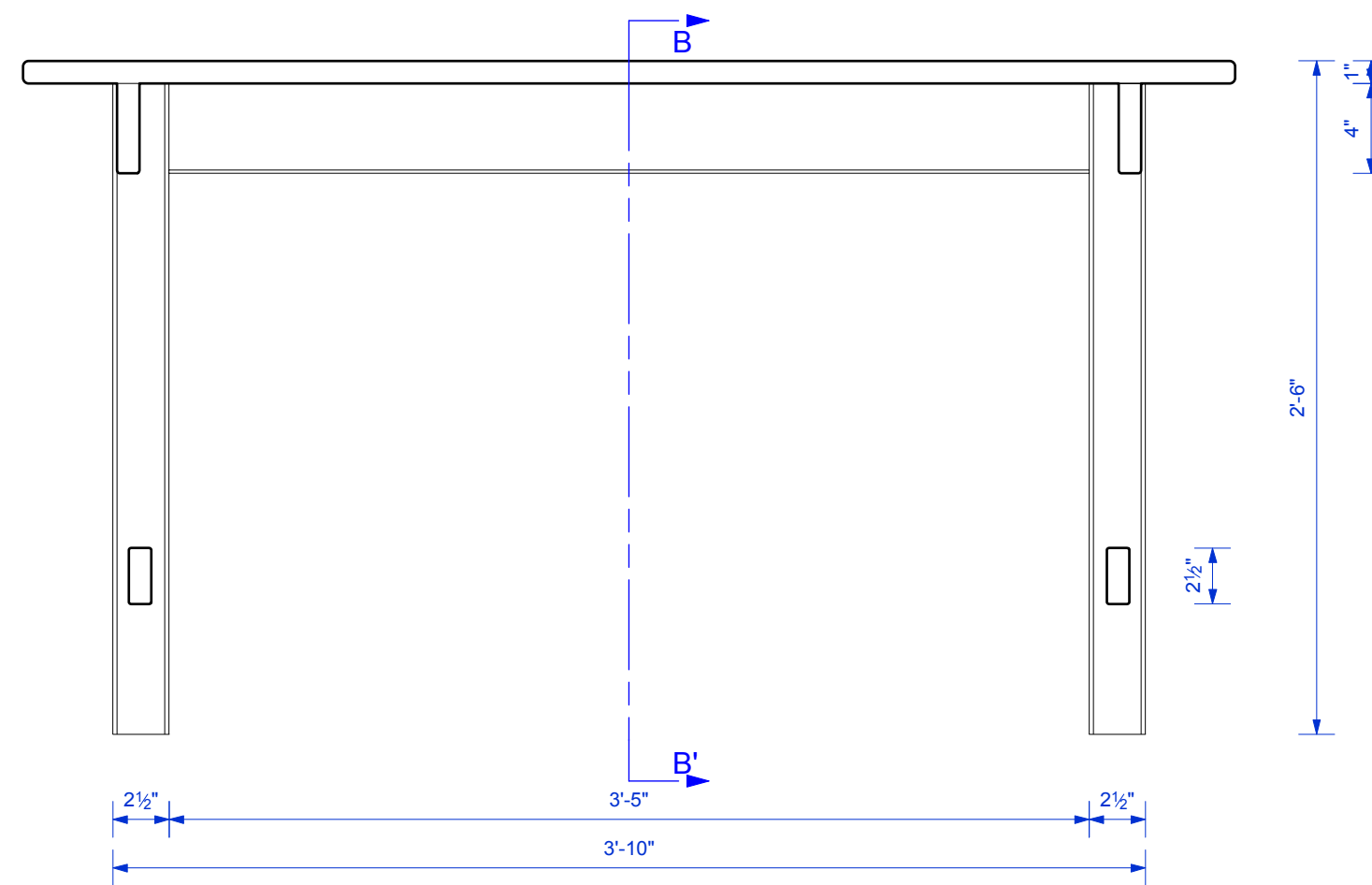
ISSUE DATE: **1.17.2020**

DRAWN BY: **ETHAN BROWN**

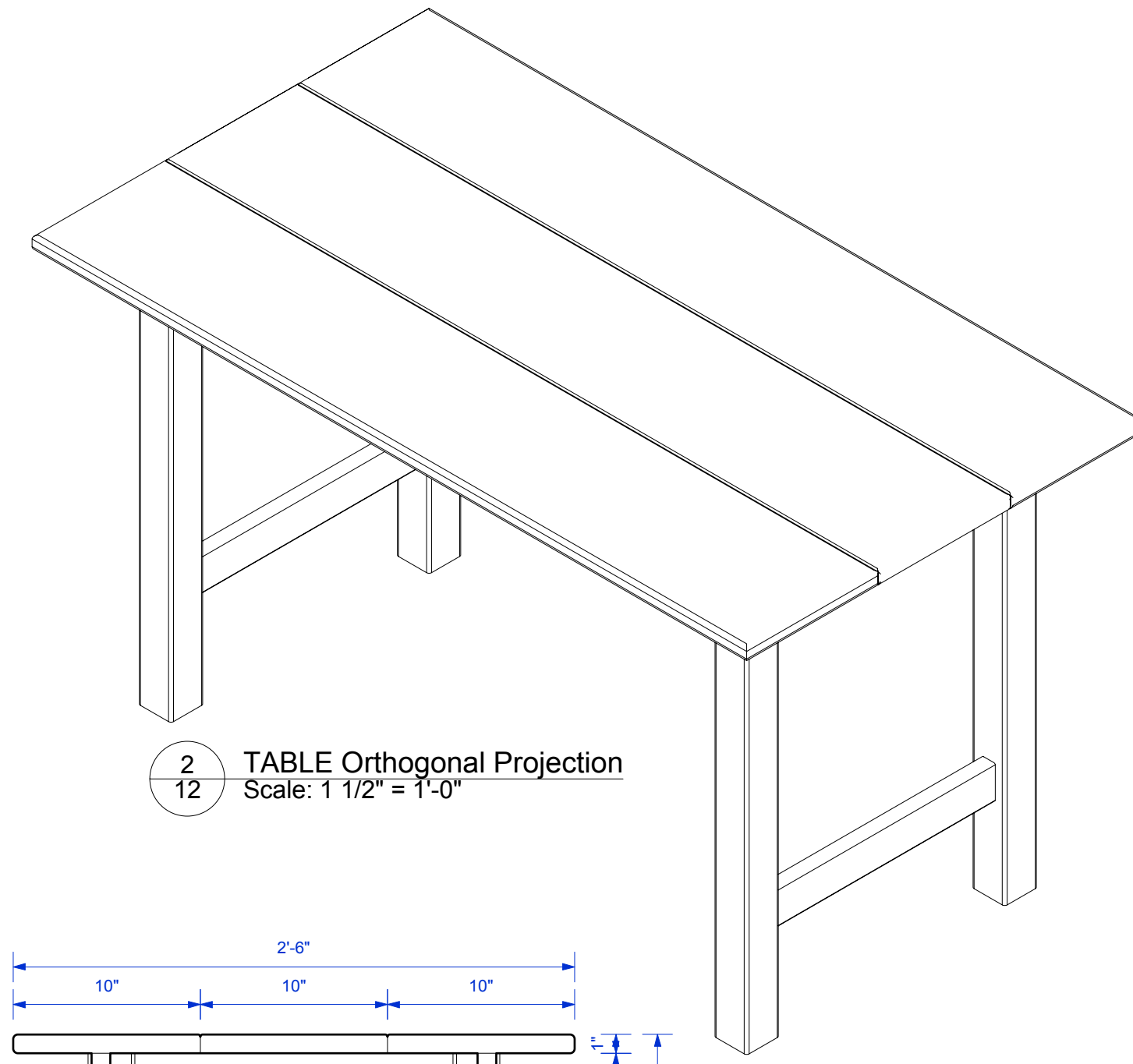


1
12 TABLE Plan
Scale: 1 1/2" = 1'-0"

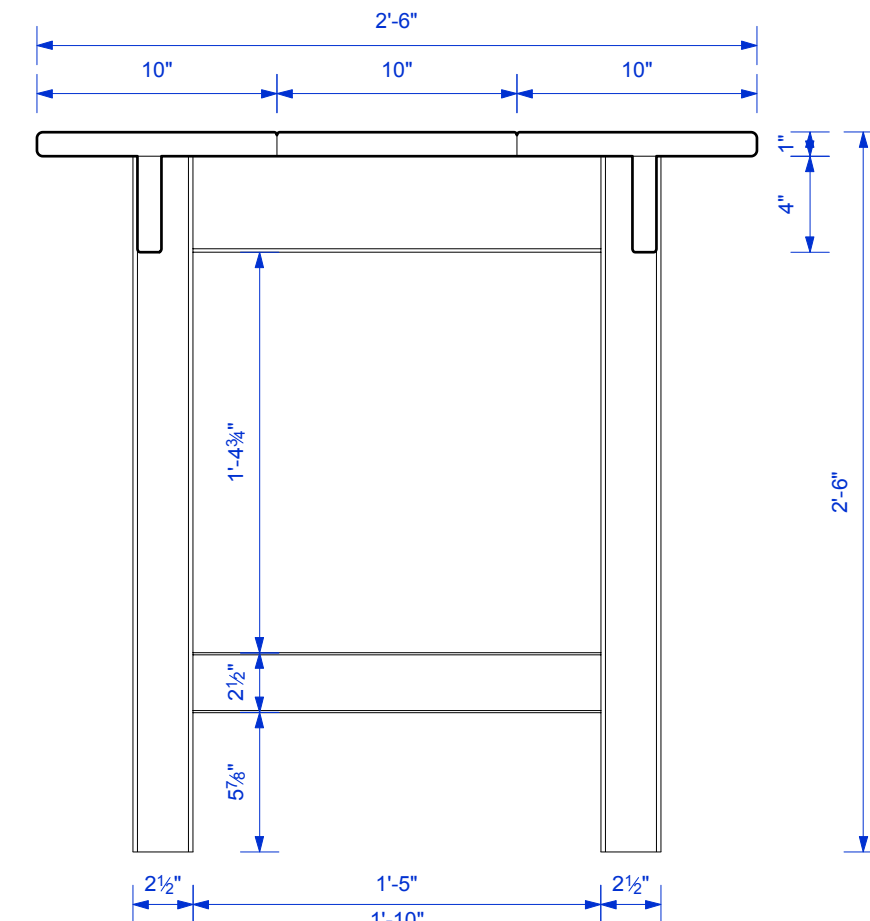
QUANTITY: 12



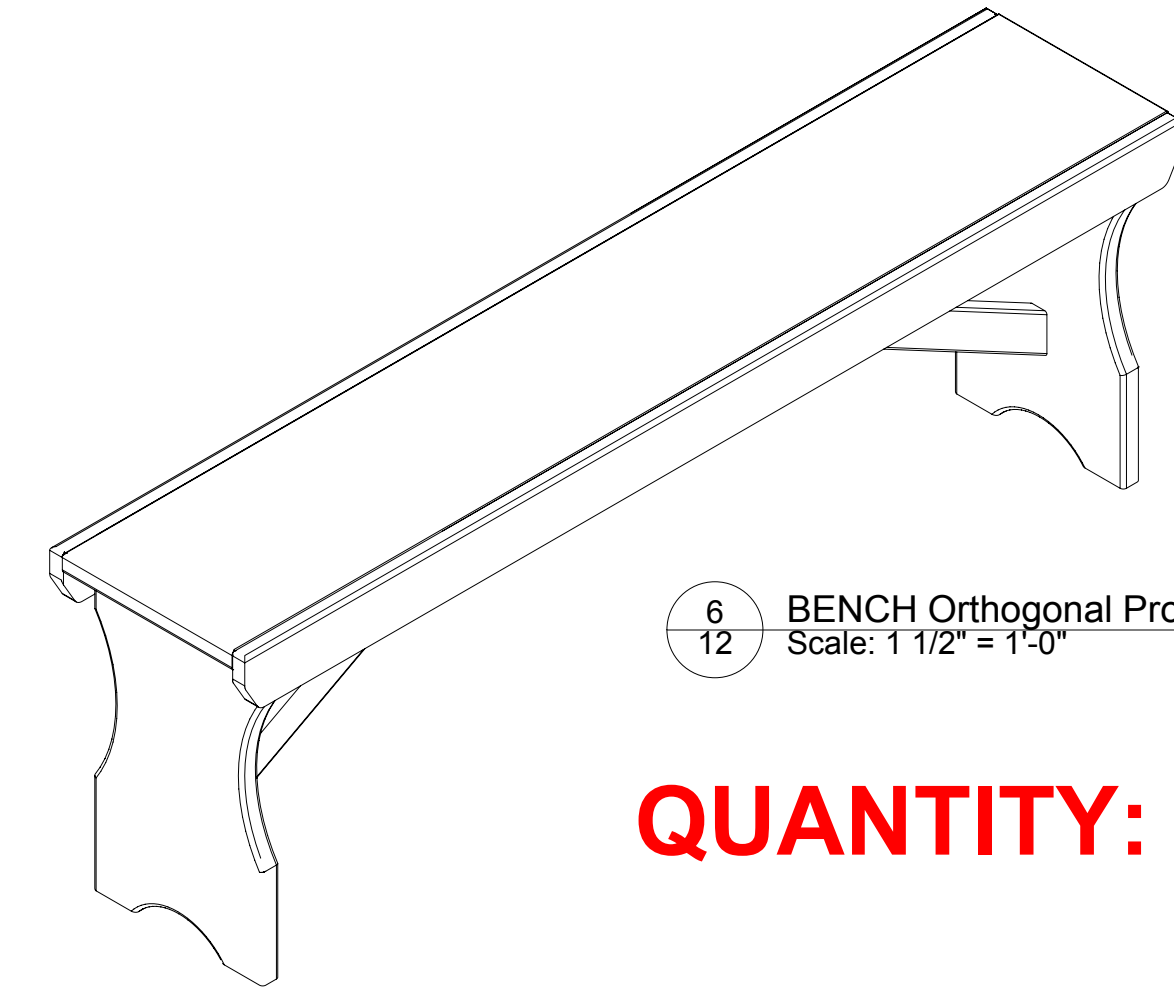
4
12 TABLE Section A-A'
Scale: 1 1/2" = 1'-0"



2
12 TABLE Orthogonal Projection
Scale: 1 1/2" = 1'-0"

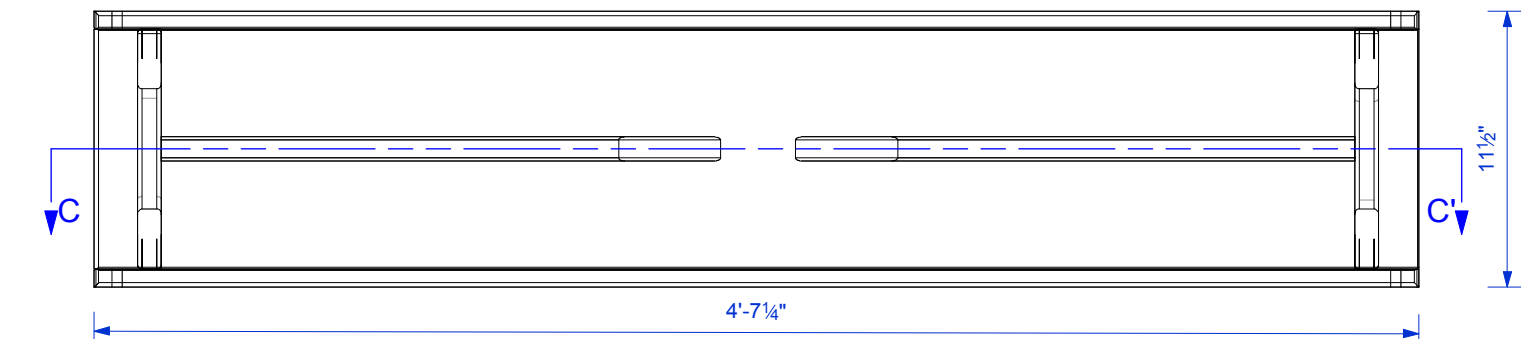


3
12 TABLE Section B-B'
Scale: 1 1/2" = 1'-0"

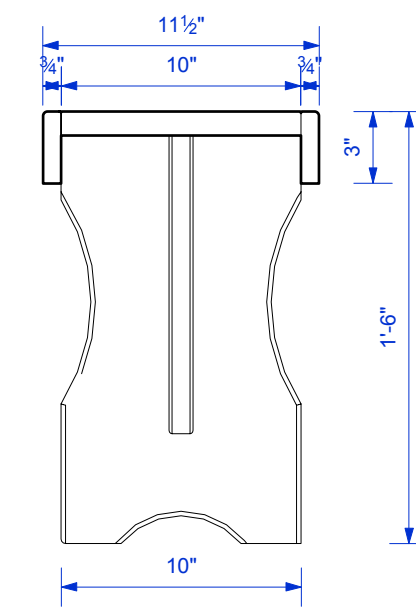


6
12 BENCH Orthogonal Projection
Scale: 1 1/2" = 1'-0"

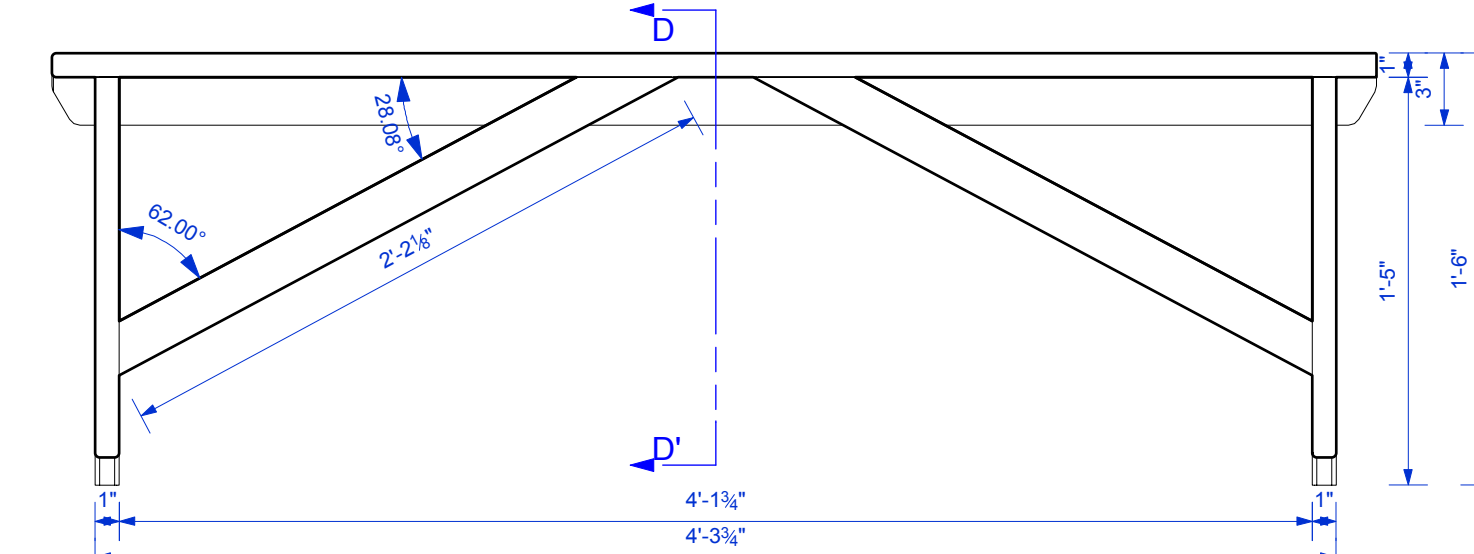
QUANTITY: 24



5
12 BENCH Plan
Scale: 1 1/2" = 1'-0"



8
12 BENCH Section D-D'
Scale: 1 1/2" = 1'-0"



7
12 BENCH Section C-C'
Scale: 1 1/2" = 1'-0"



JASON ARDIZZONE-WEST
SET DESIGN
12 MALVERN RD
SCARSDALE, NY 20683
JASON@ARDIZZONEWEST.COM

RHODA THEATRE : BERKLEY REP
AWOYE TIMPO | DIRECTOR
JASON ARDIZZONE-WEST | SET DESIGN
STACY DEROSIER | LIGHTING DESIGN
X X | COSTUME DESIGN
X X | CHOREOGRAPHY
X X | SOUND DESIGN
X X | MD - CONDUCTOR
X X | MUSIC SUPERVISOR

SCHOOL GIRLS
OR, THE AFRICAN MEAN GIRLS PLAY
AN INFECTIOUS COMEDY WITH TEETH

PLATE NUMBER: **12.0**
DRAWING TITLE: **BENCHES AND TABLES**
DRAWN BY: **ETHAN BROWN**
SCALE: **1 1/2" = 1'-0"**
ISSUE DATE: **1.17.2020**

This drawing is confidential. The reproduction or use of these arrangements, designs, and plans are prohibited without written consent of the author. The author shall not be held responsible for any errors or omissions in this drawing. The design team is not responsible for any discrepancies between the drawing and actual dimensions. This drawing represents concepts and suggestions only. The design team is not responsible for the final construction of the set. Construction of the set is the responsibility of the construction crew. The design team is not responsible for the final construction of the set. Construction of the set is the responsibility of the construction crew. The design team is not responsible for the final construction of the set. Construction of the set is the responsibility of the construction crew. Equipment and installation must conform to all local and federal codes and fire safety regulations.